

Accu-Cut™



Owner's Manual

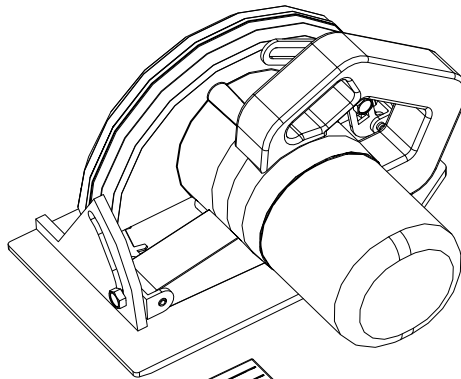
Guide d'utilisation

Manual del propietario

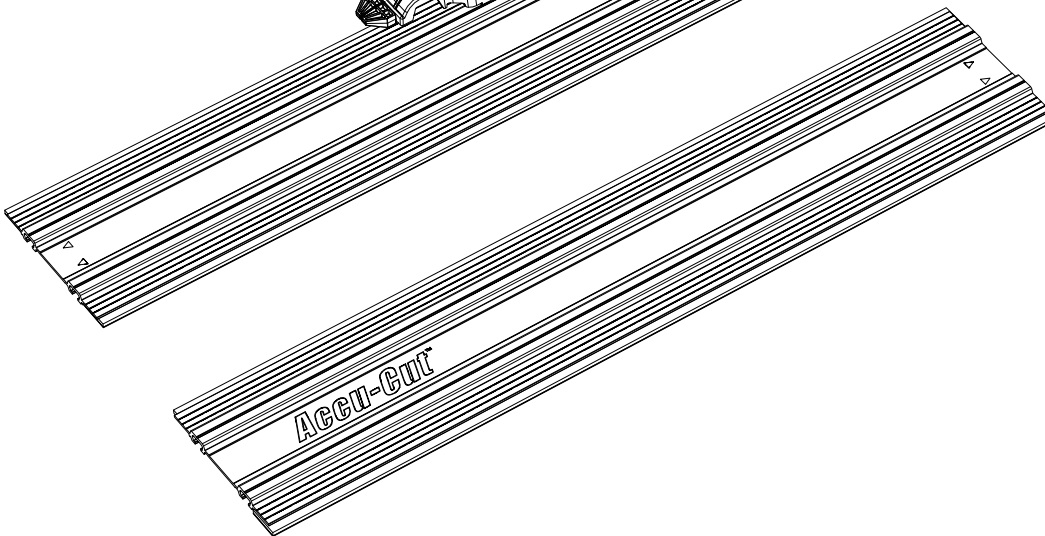
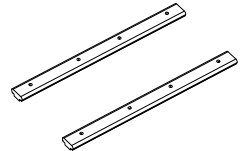
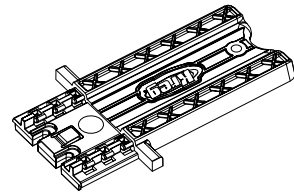
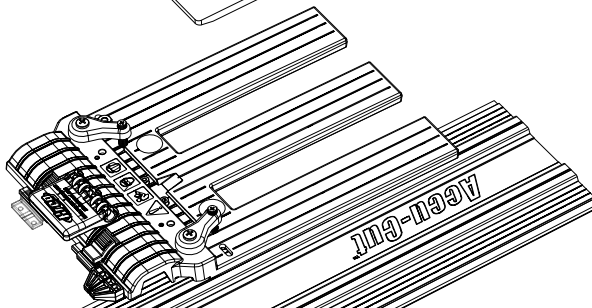
Item# KMA2700

Article #KMA2700

Artículo # KMA2700



Saw not included
Scie non incluse
No se incluye sierra



NK9191
Version 5 - 02/2019

General Safety Guidelines

⚠ WARNING When using electric tools, always follow the safety precautions *below* to reduce the risk of fire, electric shock, and personal injury. Read all these instructions before attempting to operate this product. **SAVE THESE INSTRUCTIONS.**

1) Work area safety

- a) Keep work area clean and well lit. Cluttered or dark areas invite accidents.
- b) Don't use power tools in a dangerous environment. Don't use power tools in damp or wet locations, or expose them to rain.
- c) Do not operate power tools in explosive atmospheres, such as in the presence of flammable liquids, gases or dust. Power tools create sparks that can ignite the fumes or dust.
- d) Keep children and bystanders away while operating a power tool. Distractions can cause you to lose control.
- e) Make your workshop child proof. Use padlocks, master switches, or remove starter keys.

2) Electrical safety

- a) Ground electric tools. If the tool is equipped with a three-prong plug, it must be plugged into a grounded three-hole electrical outlet. If the proper outlet is not available, have one installed by a qualified electrician. Never remove the third prong or modify the provided plug in any way.
- b) Do not expose power tools to rain or wet conditions. Water entering a power tool increases the risk of electric shock.
- c) Do not abuse the cord. Never use the cord for carrying, pulling or unplugging the power tool. Keep cord away from heat, oil, sharp edges or moving parts. Damaged or entangled cords increase the risk of electric shock.
- d) Use a proper extension cord and make sure it is in good condition. When using an extension cord, be sure to use one heavy enough to carry the current your power tool draws. An undersized cord causes a drop in line voltage resulting in loss of power and overheating. Table 1 shows the correct cord gauge to use depending on cord length and tool nameplate ampere rating. If in doubt, use the next heavier gauge. The smaller the gauge number, the heavier the cord.
- e) When operating electric tools, avoid body contact with grounded or earthed surfaces such as pipes, radiators, kitchen ranges, and refrigerators. Contact with a grounded surface increases the risk of electric shock.

3) Personal safety

- a) Stay alert, watch what you are doing and use common sense when operating a power tool. Do not use a power tool while you are tired or under the influence of drugs, alcohol or medication. A moment of inattention while operating power tools can result in serious personal injury.
- b) Always wear safety glasses. Everyday eyeglasses are not safety glasses. Safety glasses have specially constructed lenses, frames, and side shields.
- c) Use safety equipment. Use a face or dust mask when the cutting operation is dusty. Safety equipment such as a dust mask, non-skid safety shoes, hard hat, or hearing protection used for appropriate conditions reduces personal injuries.
- d) Avoid accidental starting. Make sure the switch is in the off-position before plugging in. Carrying power tools with your finger on the switch or plugging in power tools that have the switch on invites accidents.
- e) Remove any adjusting key or wrench before turning the power tool on. A wrench or a key left attached to a rotating part of the power tool can result in personal injury.
- f) Do not overreach. Keep proper footing and balance at all times. This enables better control of the power tool in unexpected situations.
- g) Secure workpieces. Use clamps or a vise to hold work when practical. This is safer than using your hand and it frees both hands to operate the tool.
- h) Never stand on the machine. Serious injury can occur if the tool tips or if the cutting tool is unintentionally contacted.

- i) Dress properly. Do not wear loose clothing or jewelry. Keep your hair, clothing and gloves away from moving parts. Loose clothes, jewelry or long hair can be caught in moving parts. Roll up long sleeves to the elbow. Wear protective hair covering to contain long hair.

- j) If devices are provided for the connection of dust extraction and collection equipment, ensure these are connected and properly used. Use of these devices reduces dust-related hazards.

4) Power tool use and care

- a) Keep guards in place and in working order.
- b) Do not force the power tool. Use the correct power tool for your application. The correct power tool will do the job better and safer at the rate for which it was designed.
- c) Use the right tool. Don't force a tool or attachment to do a job for which it was not designed.
- d) Do not use the power tool if the switch does not turn it on and off. Any power tool that cannot be controlled with the switch is dangerous and must be repaired.
- e) Disconnect the plug from the power source and/or the battery pack from the power tool before making any adjustments, changing accessories, or storing power tools. Such preventive safety measures reduce the risk of starting the power tool accidentally.
- f) Never leave a tool running unattended. Turn power off. Do not leave the tool until it comes to a complete stop.
- g) Store idle power tools out of the reach of children and do not allow persons unfamiliar with the power tool and these instructions to operate the power tool. Power tools are dangerous in the hands of untrained users.
- h) Maintain power tools. Check for misalignment or binding of moving parts, broken parts, and any other condition that can affect power tool operation. If damaged, have the power tool repaired before use. Many accidents are caused by poorly maintained power tools.
- i) Keep cutting tools sharp and clean. Properly maintained cutting tools with sharp cutting edges are less likely to bind and are easier to control.
- j) Use the recommended speed for the cutting tool or accessory and workpiece material.
- k) Only use parts and accessories recommended by the manufacturer. Consult the owner's manual for recommended accessories. Using improper accessories can cause personal injury.
- l) Use the power tool, accessories, and tool bits in accordance with these instructions and in the manner intended for the particular type of power tool, taking into account the working conditions and the work to be performed. Use of the power tool for operations different from those intended can result in a hazardous situation.

5) Service

- a) Have your power tool serviced by a qualified repair person using only identical replacement parts. This ensures that the safety of the power tool is maintained.

6) SAFETY INSTRUCTIONS SPECIFIC TO USING THE ACCU-CUT™

- a) Before using the Accu-Cut™, read, understand, and follow the safety warnings and operation instructions included with this product and provided by your saw manufacturer. Keep all guards and safety devices in place.
- b) Wear proper eye, ear, and respiratory protection when operating your saw.
- c) Use a sharp blade designed for the type of material you are cutting.
- d) Always disconnect your saw from power before making adjustments to the saw or Accu-Cut™.
- e) Wipe the guide strips with a damp cloth and remove dust and debris from the workpiece before positioning the track on the workpiece.

General Safety Guidelines

- f) Only use the number of track sections required to make a cut, adding or removing track sections as necessary.
- g) The Accu-Cut™ is designed for use without clamps only with two or more track sections joined together. Do not attempt a cut using only one track section without first clamping the track section to the work piece.
- h) Ensure that the saw blade will not contact the aluminum track during the cut.
- i) Do not attempt a cut when any part of the Accu-Cut™ sled interferes with the operation of the saw blade guard.
- j) Fully support both the workpiece and the cutoff piece to prevent binding and kickback.
- k) Adjust the depth of cut so the saw blade protrudes 1/8" [3mm] through the workpiece during the cut.
- l) Keep your hands away from the saw blade during operation. Do not reach under the workpiece while cutting.
- m) Secure your workpiece to ensure it doesn't move during the cut.
- n) Do not use excessive force when cutting. Maintain a steady and controlled pace.
- o) Allow the saw blade to come to a complete stop before removing the saw/sled assembly from the track.
- p) Do not leave unattended saw resting on the track or starting block.
- q) Maintain your tools and accessories. Check for misalignment or binding of moving parts, loose fasteners, broken parts, and any other condition that may affect safe operation. If an unsafe condition is discovered, correct it before use.

7) Kickback

Kickback is a sudden reaction to a pinched, bound, or misaligned saw blade, causing an uncontrolled saw to lift up and out of the workpiece toward the operator.

8) Causes of kickback

- a) When the blade is pinched or bound tightly by the kerf closing in, the blade stalls and the motor reaction drives the unit rapidly back toward the operator.
- b) If the blade becomes twisted or misaligned in the cut, the teeth at the back edge of the blade can dig into the top surface of the wood causing the blade to climb out of the kerf and propel the saw back toward the operator.

Preventing kickback

Kickback is the result of tool misuse and/or incorrect operating procedures or conditions and can be avoided by taking proper precautions.

- a) Maintain a firm grip with both hands on the saw and position your body and arms to resist kickback forces. Kickback forces can be controlled by the operator if proper precautions are taken.
- b) When blade starts to bind, or when interrupting a cut for

- any reason, release the trigger and hold the saw motionless in the material until the blade comes to a complete stop. Never attempt to remove the saw from the work or pull the saw backward while the blade is in motion. Investigate and take corrective actions to eliminate the cause of blade binding.
- c) When restarting a saw in the workpiece, center the saw blade in the kerf and check that saw teeth are not engaged in the material. If the saw blade is binding, the blade may climb out of the workpiece and kickback as the saw is restarted.
- d) Support large panels to minimize the risk of blade pinching and kickback. Large panels tend to sag under their own weight. Supports must be placed under the panel on both sides of the cut: near the cutline and near the edge of the panel.

- e) Do not use a dull or damaged blade. A dull or improperly sharpened blade produces a narrow kerf, causing excessive friction, blade binding, and kickback.
- f) Blade depth and bevel adjusting locks must be tight and secure before making a cut. If blade adjustment shifts while cutting, it may cause binding and kickback.
- g) Use extra caution when making a plunge cut into existing walls, floors, or other blind areas. The protruding blade may contact unseen objects that can cause kickback.

Guidelines for extension cord use

Extension cords are only to be used for temporary purposes. They do not replace the need for installation of outlets and proper wiring where necessary.

In the shop and on construction sites:

1. Extension cords with an equipment grounding conductor must be used at all times.
2. Extension cords must be protected from damage, and not run through doorways or windows where the doors or windows can close, causing damage to the cord.
3. Extension cords must be a minimum of 16 AWG and be rated for the equipment in use.
4. Extension cords must be periodically inspected to ensure that the insulation and conductivity of the wires are not compromised.
5. Extension cords should not be run through water or allowed to have connections that may be exposed to accumulated water.

TABLE 1

Nameplate Amperes @120 V	Extension Cord Length					
	25'	50'	75'	100'	150'	200'
	Recommended Wire Gauge					
0 - 5	16	16	16	14	12	12
5.1 - 8	16	16	14	12	10	NR
8.1 - 12	14	14	12	10	NR	NR
12.1 - 16	12	12	NR	NR	NR	NR

NR – Not Recommended

⚠ WARNING: This product can expose you to chemicals including Acrylonitrile and other chemicals, which are known to the State of California to cause cancer and reproductive harm. For more information go to www.P65Warnings.ca.gov.

Tools for Assembly

Tools Needed:



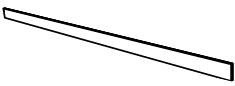

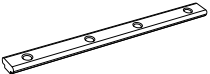



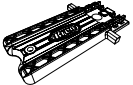


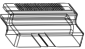

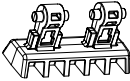


#2 Phillips Screwdriver
Straight Edge

⚠ ATTENTION Do not use power tools for assembly.

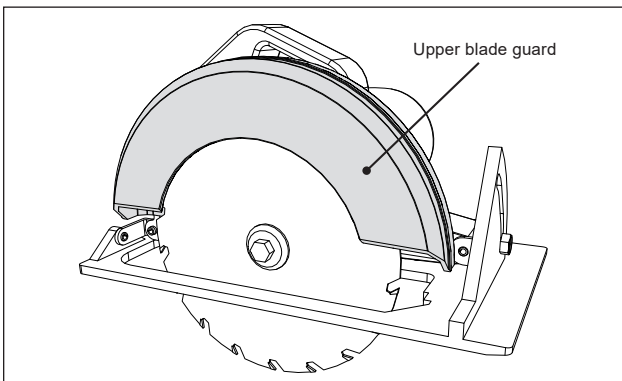
Saw Components

Accu-Cut™ (KMA2700) pièces

*Part functional only on Kreg Rip-Cut™.

A		2	Tracks	I		2	Base-plate Clamps
B		4	Guide Strips (Pre-Installed)	J		1	Indexing Stop
C		2	Connector Bars	K		3	Machine Screws
D		8	Set Screws	L		3	Hex Nuts
E		1	Starting Block	M		1	Indicator Clip
F		1	Filler Strip	N*		1	Cursor
G		1	Sled	O*		1	Wedge
H		2	Set Screws	P*		1	Handle

Before You Begin



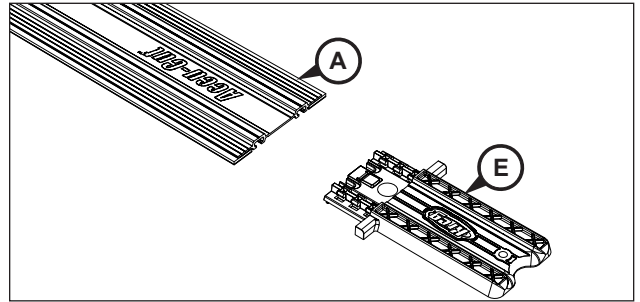
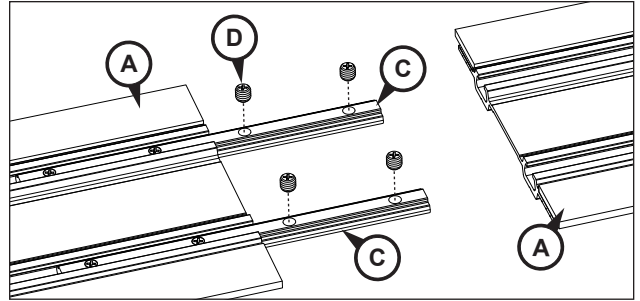
⚠ ATTENTION The Accu-Cut™ is designed for use with portable circular saws that have a metal upper blade guard. When paired with the Accu-Cut, a saw with a plastic upper blade guard may allow deflection between the blade and the base plate resulting in poor cut quality. Do not use a saw with a plastic upper blade guard with the Accu-Cut.

Assembly

Assemble the track

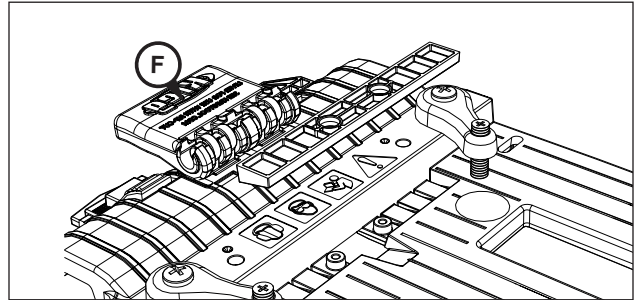
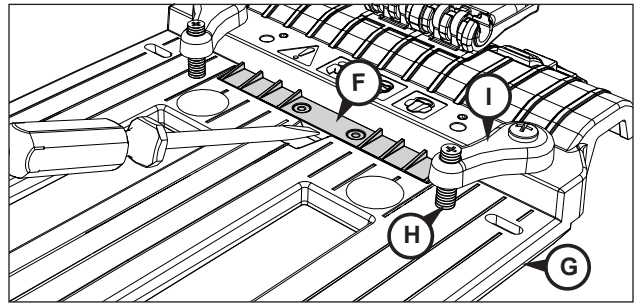
1 Turn the two tracks (A) upside down (black faces of the guide strips up). Slide the connector bars (C) halfway into the T-slots in the first track at the end with the indicator arrows on the top face and tighten the set screws (D). Slide the second track onto the connector bars so the indicator arrows on the top face align with those on the first track section. Tightly hold the two tracks together and tighten the remaining set screws. Slide the starting block (E) into the T-slots at the end of one track.

⚠ ATTENTION The tracks can be taken apart for storage. If you disassemble the tracks, align the indicator arrows on the top faces of the tracks when reassembling them.



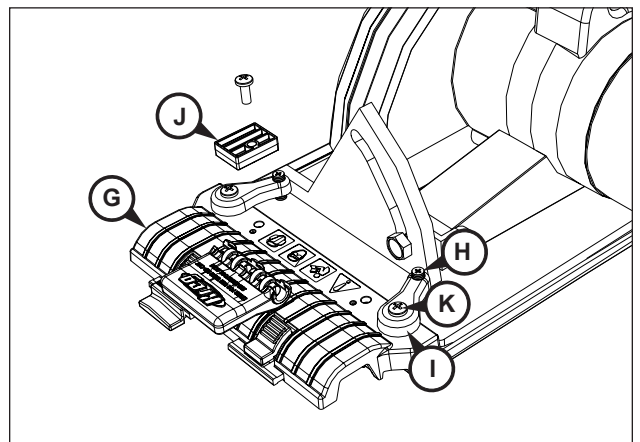
Orient the Filler Strip

2 The filler strip (F) on the sled (G) is shipped with the angled ribs facing up. These ribs support a saw base with an angled leading edge, keeping the saw base flat on the sled when the set screws (H) in the base-plate clamps (I) are tightened. For a saw base with a flat leading edge, lift the filler strip from the sled recess with the tip of a screwdriver, turn it over to expose the flat face, and press it into the recess.



Mount your Circular Saw on the Sled

3 Remove the indexing stop (J) from the sled (G). Loosen the set screws (H) in the base-plate clamps (I) and slide your saw base plate under them. Position the saw on the sled with the front of the saw base plate against the step at the front of the sled. For saws with the blade on the left-hand end of the motor, center the blade in the left sled slot. For saws with the blade on the right-hand end of the motor, center the blade in the right sled slot. To accommodate different saw base-plate configurations, there are two holes for attaching each base-plate clamp to the sled. For the most secure clamping, choose the holes that provide widest spacing allowed by your saw. The clamps can be oriented at an angle. Tighten the set screws onto the saw base plate just enough to hold the saw in place.

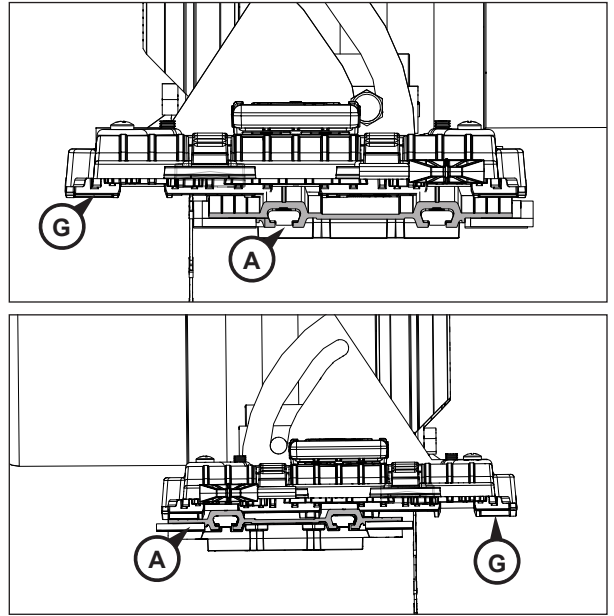


⚠ WARNING Disconnect the saw from power before mounting it on the sled.

Assembly

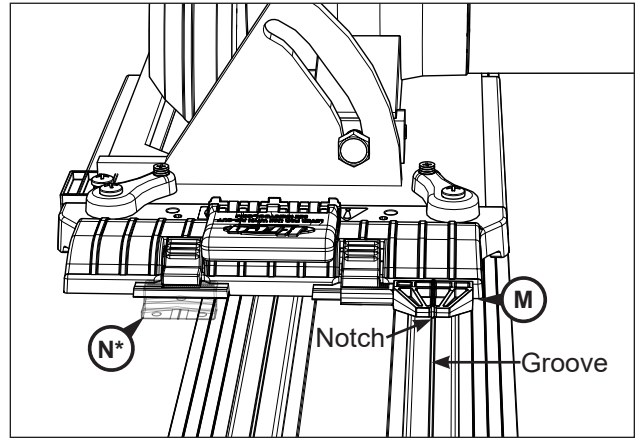
Align the Saw/Sled Assembly on the Track

4 There are three grooves in the bottom of the sled (**G**). For a saw with the blade in the right-hand sled slot, the center and left grooves ride on the track (**A**) rails. For a saw with the blade in the left-hand sled slot, the center and right grooves ride on the track rails. Position the saw/sled assembly on the starting block, engaging the appropriate sled grooves. Loosen the base-plate clamp (**I**) set screws (**H**) enough to slide the saw side to side. Align the saw so the blade will shave about $\frac{1}{32}$ " [.8mm] off the guide strip. (You'll trim the guide strip later for zero-offset positioning of the track.) Tighten the base-plate clamp set screws enough to securely hold the saw, but do not over tighten. Make sure the saw blade guard operates freely.



Check the Position of the Indicator Clip and Cursor*

5 There are two positions on the sled for the indicator clip (**M**) and cursor (**N***) that correspond to the two sled slots. Position the cursor in the holder in front of the saw blade and the indicator clip in the other holder. To switch indicator clip and cursor positions, press down on the holder locks, slide the indicator clip and cursor out of the holders and reinstall each one in the other holder. For ease in positioning the saw/sled assembly on the starting block, align the notch at the front of the indicator clip with the groove in the track rail.



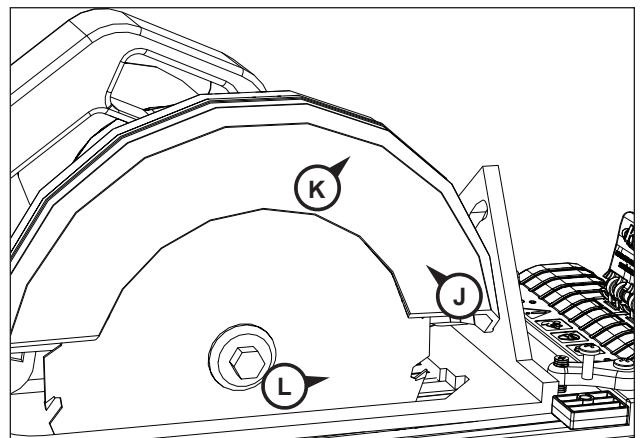
⚠ ATTENTION The sled assembly is equipped with features only functional on the Kreg Rip-Cut™. Additional steps, found in the Rip-Cut™ manual, are required to calibrate this sled for use on the Rip-Cut™.

*The cursor is functional only on the Rip-Cut™.

Reinstall the Indexing Stop

6 The indexing stop (**J**) allows you to remove the saw from the sled assembly and then re-mount it in exactly the same position without having to re-trim the guide strip. Place the indexing stop against the side of the saw base and secure it to the sled with the machine screw (**K**) and nut (**L**). For maximum positioning flexibility, the sled is slotted and the indexing stop can be rotated 180°.

⚠ ATTENTION When mounting a different saw on the sled repeat Steps 2-6. When installing a different blade in the saw, repeat Step 4.



Assembly

Trim the Guide Strip

7 The tracks (A) are supplied with the guide strips (B) already installed. The guide strips grip the workpiece surface to ensure the track does not move during use. When properly trimmed, the guide strips allow you to align the edge of the strip with the cutline and provide zero-clearance support next to the blade to minimize chip-out.

To allow positioning the edge of the guide strip on the workpiece cutline (zero offset), position and fully support the track on a 48" [1219mm]-long scrap workpiece with the edge stop on the bottom of the starting block against the edge of the workpiece. Position the saw/sled assembly on the starting block using the indicator clip to ensure proper alignment and engage the track rails. Adjust the depth of cut so the blade will protrude $\frac{1}{8}$ " [3mm] through the workpiece during the cut. With the blade clear of the workpiece, turn on the saw. Applying light downward pressure on the saw and maintaining a steady, controlled pace, trim the guide strip and workpiece along the entire length of the track. Turn off the saw and allow the blade to stop before removing the saw/sled assembly from the track.

⚠ WARNING The wedge lock is functional only on the Kreg Rip-Cut™. To avoid interference with the operation of the Accu-Cut™, raise the wedge (O*) by pushing the handle (P*) forward and down. Make sure the handle is in this position whenever using the Accu-Cut™.

⚠ ATTENTION Always wipe the guide strips with a damp cloth and remove dust and debris from the workpiece before positioning the track.

⚠ ATTENTION Should the zero-offset guide strip become worn or damaged, remove the starting block from the track and install it on the other end. Perform the trimming operation on the second guide strip. When the guide strips are no longer usable, contact Kreg Customer Service or www.kregtool.com to purchase replacements.

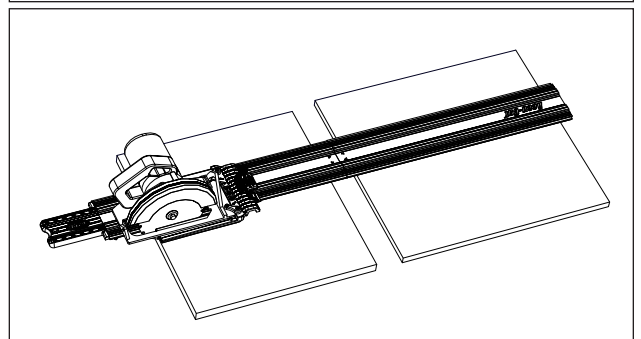
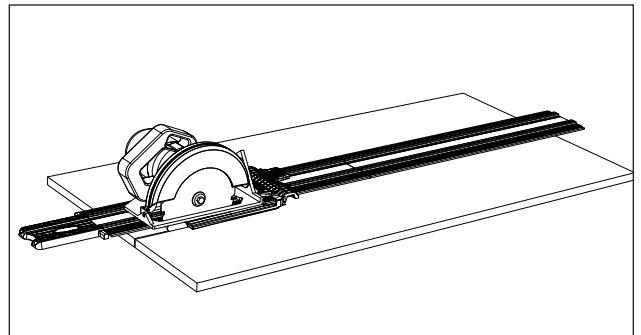
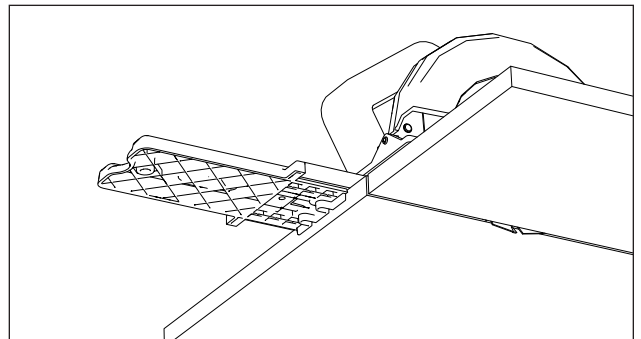
Using your Accu-Cut™

Using your Accu-Cut™

- 1** For the best results, install a 40-tooth blade on your saw
- 2** Mark the cutline on your workpiece. Position the track with the edge of the guide strip on the cutline and the starting block edge stop against the edge of the workpiece. Always make cuts with the workpiece under the track and the waste to the outside.
- 3** Place the saw/sled assembly on the starter block, using the indicator clip to align the sled with the track. Adjust the depth of cut so the blade will protrude $\frac{1}{8}$ " [3mm] through the workpiece during the cut.
- 4** Connect your saw to power. With both hands on the saw and the blade clear of the workpiece, turn on the saw. Applying light downward pressure on the saw and maintaining a steady, controlled pace, make the cut. Turn off the saw and allow the blade to stop before removing the saw/sled assembly from the track.

⚠ WARNING Completely support the workpiece and cutoff with 2x4s or [2"] [50mm]-thick rigid foam insulation laid flat on the floor.

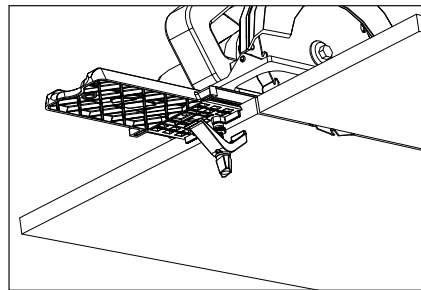
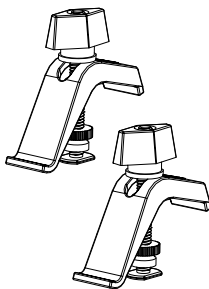
⚠ WARNING When more than 12" of the end of the track opposite the starter block extends beyond the workpiece, support the protruding end of the track with an auxiliary surface that it is flush with the workpiece.



OPTIONAL ACCESSORIES

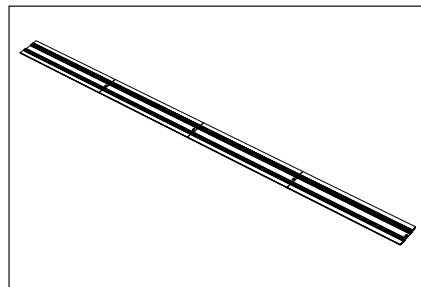
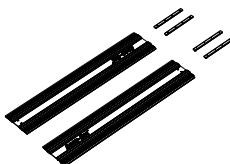
Kreg Track Clamps *(Sold separately)*

These clamps slide into notches in the starter block and T-slots in the track to allow the track to be clamped to the workpiece. They are recommended when cutting material with a slippery surface, such as melamine-coated particleboard, or when any of these conditions exist: the entire length of the track is not fully supported by the workpiece, the workpiece is not flat, or when making cuts with a single section of track.



Accu-Cut™ Expansion Pack *(Sold separately)*

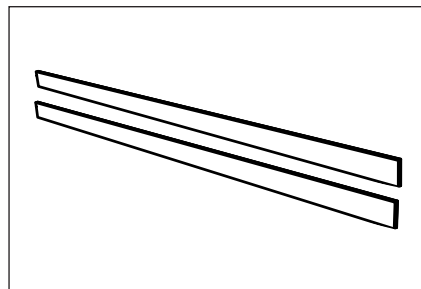
Double the cutting capacity of your Accu-Cut™ with the Accu-Cut Expansion Pack. It connects easily to your Accu-Cut to deliver the same straight, accurate, splinter-free performance on cuts up to 100" long. The Expansion Pack includes two additional 26.5" Aluminum Guide Tracks, six steel Track Connectors, eight Anti-Chip/Anti-Slip Guide Strips, and instructions for assembly and setup.



REPLACEMENT PARTS

Guide Strips *(Sold separately)*

Over time, the guide strips can become worn and no longer provide accurate alignment of the track and zero-clearance chip prevention. This package of two guide strips restores the accuracy and cut quality of your Accu-Cut™. You'll need four packs for the Accu-Cut™ XL.



⚠ WARNING Before using the Accu-Cut™, read, understand, and follow the safety warnings and operation instructions included with this product and provided by your saw manufacturer. Keep all tool guards and safety devices in place. Do not attempt a cut when any part of the Accu-Cut™ interferes with the operation of the saw blade guard. Always wear eye and ear protection. Use respiratory protection in dusty conditions. Disconnect the saw from power supply before making any adjustments to the Accu-Cut™ or the saw.

Consignes générales de sécurité

AVERTISSEMENT Lorsque vous utilisez des outils électriques, suivez toujours les consignes de sécurité ci-dessous afin de réduire le risque d'incendie, de choc électrique et de blessure. Assurez-vous de lire toutes les instructions avant de tenter d'utiliser cet appareil.
CONSERVEZ CES INSTRUCTIONS.

1) Mesures de sécurité dans l'aire de travail

- L'aire de travail doit être propre et bien éclairée. Une aire de travail encombrée ou peu éclairée augmente le risque d'accident.
- N'utilisez pas un outil électrique dans un environnement dangereux. N'utilisez pas un outil électrique dans un endroit mouillé ou humide et ne l'exposez pas à la pluie.
- N'utilisez pas un outil électrique dans un endroit présentant un risque d'explosion, par exemple où il y a présence de liquides, de vapeurs ou de poussières inflammables. Les outils électriques produisent des étincelles pouvant enflammer les vapeurs ou les poussières.
- Gardez les enfants et les autres personnes à l'écart lorsque vous utilisez un outil électrique. Une distraction peut vous faire perdre la maîtrise de l'outil.
- Empêchez les enfants d'accéder à votre atelier. Utilisez des cadenas et un interrupteur général, ou retirez les clés du commutateur d'allumage.

2) Consignes de sécurité relatives à l'électricité

- Branchez les outils électriques sur une prise mise à la terre. Un outil muni d'une fiche à trois broches ne doit être branché que sur une prise de courant à trois alvéoles mise à la terre. Si vous ne disposez pas d'une telle prise, demandez à un électricien qualifié d'en installer une. Ne retirez jamais la troisième broche et ne modifiez jamais la fiche.
- N'exposez pas les outils électriques à la pluie ou à tout autre environnement humide. Les risques de choc électrique sont plus élevés si l'eau s'infiltré dans un outil électrique.
- N'utilisez pas le cordon d'alimentation de façon abusive. Ne transportez jamais un outil électrique en le tenant par son cordon, et ne tirez jamais le cordon pour le débrancher. Tenez le cordon d'alimentation éloigné des sources de chaleur, de l'huile, des objets coupants et des pièces mobiles. Les risques de choc électrique sont plus élevés si le cordon d'alimentation est endommagé ou emmêlé.
- Utilisez une rallonge appropriée et assurez-vous qu'elle est en bon état. Utilisez une rallonge qui convient au courant consommé par l'outil. Une rallonge de calibre insuffisant entraînera une baisse de la tension secteur, une perte de puissance et une surchauffe. Le tableau 1 montre le calibre de la rallonge approprié selon la longueur de la rallonge et l'intensité nominale inscrite sur la plaque signalétique de l'outil. En cas de doute, utilisez une rallonge de calibre supérieur. Plus le numéro du calibre est bas, plus la rallonge est résistante.
- Lorsque vous utilisez des outils électriques, évitez de toucher à des surfaces mises à la terre, par exemple un tuyau, un radiateur, une cuisinière ou un réfrigérateur. Le contact de votre corps avec une surface mise à la terre augmente les risques de choc électrique.

3) Sécurité personnelle

- Soyez vigilant, prêtez attention à ce que vous faites et usez de votre jugement lorsque vous utilisez un outil électrique. N'utilisez pas un outil électrique lorsque vous êtes fatigué ou sous l'effet de drogues, d'alcool ou de médicaments. Un moment d'inattention lorsque vous utilisez des outils électriques peut occasionner des blessures graves.
- Portez toujours des lunettes de sécurité. Les lunettes ordinaires ne sont pas des lunettes de sécurité. En plus d'être pourvues d'écrans latéraux, les lunettes de sécurité sont munies d'une monture et de verres spéciaux.
- Utilisez de l'équipement de sécurité. Portez un masque facial ou un masque antipoussières quand la coupe produit beaucoup de poussière. Le port d'équipement de sécurité, comme un masque antipoussières, des chaussures de sécurité antidérapantes, un casque de protection et des protecteurs auditifs, lorsque les conditions l'exigent, réduit les risques de blessures.
- Évitez les mises en marche accidentelles de l'outil. Assurez-vous que l'interrupteur de l'outil est à la position d'arrêt avant de le brancher. Le fait de transporter un outil électrique en gardant le doigt sur l'interrupteur ou de le brancher tandis que son interrupteur est en position de marche augmente les risques d'accident.

- Retirez toutes les clés de réglage de l'outil électrique avant de mettre celui-ci en marche. Une clé de réglage oubliée sur une pièce rotative de l'outil électrique peut occasionner des blessures corporelles.
- Ne vous étirez pas pour étendre votre portée. Gardez une posture sécuritaire et un bon équilibre en tout temps. Cela vous permet de mieux maîtriser l'outil électrique lorsque des situations inattendues se présentent.
- Assurez-vous que la pièce à travailler est bien fixée. Utilisez des serre-joints ou un étau pour fixer la pièce sur laquelle vous travaillez, au besoin. Cette technique est plus sécuritaire que l'utilisation de vos mains et vous permet de garder les mains libres pour faire fonctionner l'outil.
- Ne vous tenez jamais debout sur l'outil. Des blessures graves peuvent survenir s'il se renverse ou si l'outil tranchant est accidentellement mis en marche.
- Habillez-vous convenablement. Ne portez pas de vêtements amples ni de bijoux. Gardez vos cheveux, vos vêtements et vos gants loin des pièces mobiles. Les vêtements amples, les bijoux et les cheveux longs risquent de se prendre dans les pièces en mouvement. Roulez vos manches jusqu'aux coudes. Portez une coiffe de protection pour retenir les cheveux longs.
- Si un dispositif permet de raccorder un dépoussiéreur, assurez-vous que celui-ci est branché et utilisé correctement. L'usage de ces dispositifs contribue à réduire les dangers liés à la poussière.

4) Utilisation et entretien d'un outil électrique

- Gardez les protecteurs en place et en état de fonctionnement.
- Ne forcez pas l'outil électrique. Utilisez l'outil électrique approprié à la tâche que vous envisagez d'effectuer. L'utilisation de l'outil électrique approprié permet d'obtenir de meilleurs résultats, de façon plus sécuritaire, selon le régime de fonctionnement prévu.
- Utilisez le bon outil. Ne tentez pas d'utiliser un outil ou l'un de ses accessoires pour effectuer un travail pour lequel il n'est pas conçu.
- N'utilisez pas l'outil électrique si l'interrupteur ne fonctionne pas. Tout outil qui ne peut pas être contrôlé par l'interrupteur est dangereux et doit être réparé.
- Débranchez la fiche de la prise ou retirez le bloc-piles de l'outil électrique avant d'effectuer des réglages, de changer d'accessoire ou de ranger l'outil. De telles mesures de sécurité préventives réduisent les risques de mise en marche accidentelle de l'outil électrique.
- Ne laissez jamais l'outil en marche sans surveillance. Coupez l'alimentation électrique. Ne vous éloignez pas de l'outil tant qu'il ne s'est pas complètement arrêté.
- Rangez les outils électriques inutilisés hors de la portée des enfants et ne laissez pas les personnes ne connaissant pas bien l'outil et ces instructions utiliser ce dernier. Les outils électriques sont dangereux s'ils se retrouvent entre les mains d'utilisateurs qui ne savent pas s'en servir.
- Entretenez les outils électriques. Vérifiez les pièces mobiles pour vous assurer qu'elles ne sont pas désalignées, enrayées, brisées ou dans un état qui pourrait nuire au fonctionnement de l'outil électrique. Si l'outil électrique est endommagé, faites-le réparer avant de l'utiliser. De nombreux accidents sont provoqués par des outils électriques mal entretenus.
- Gardez vos outils tranchants affûtés et propres. Des outils tranchants bien entretenus et dont les lames sont affûtées risquent moins de se bloquer et sont plus faciles à maîtriser.
- Utilisez la vitesse recommandée pour l'outil de coupe, l'accessoire et la pièce à travailler.
- N'utilisez que des pièces et des accessoires recommandés par le fabricant. Consultez la liste des accessoires recommandés dans le guide d'utilisation. L'utilisation d'accessoires inappropriés peut causer des blessures.
- Utilisez l'outil électrique, les accessoires, et les embouts conformément aux instructions et aux fins pour lesquelles l'outil a été conçu, en tenant compte des conditions de travail et des tâches à effectuer. L'utilisation de l'outil électrique à des fins autres que celles pour lesquelles il a été conçu pourrait entraîner une situation dangereuse.

Consignes générales de sécurité

5) Réparation

a) Demandez à un technicien qualifié qui utilise seulement des pièces de rechange identiques aux pièces d'origine d'effectuer l'entretien de votre outil électrique. Vous vous assurez ainsi que l'outil électrique demeure sécuritaire.

6) CONSIGNES DE SÉCURITÉ PROPRES À L'UTILISATION DE L'ACCU-CUT™

a) Avant d'utiliser l'Accu-Cut™, veuillez lire, comprendre et respecter les avertissements de sécurité ainsi que le mode d'emploi inclus avec ce produit et fourni par le fabricant de votre scie. Laissez tous les protecteurs et les dispositifs de sécurité en place.

b) Portez toujours des protecteurs appropriés pour les yeux et les oreilles lorsque vous utilisez la scie.

c) Utilisez une lame coupante conçue pour le matériau que vous coupez.

d) Débranchez toujours la scie de la source d'alimentation avant d'apporter des ajustements à la scie ou à l'Accu-Cut™.

e) Essayez les bandes de guidage avec un linge humide et retirez la poussière et les débris de la pièce à travailler avant de placer le rail sur celle-ci.

f) N'utilisez que le nombre de rails nécessaire pour la coupe, en ajoutant ou en enlevant des rails au besoin.

g) L'Accu-Cut™ est conçu pour être utilisé sans pinces seulement lorsqu'il est utilisé avec deux rails ou plus ensemble. Ne tentez pas d'effectuer une coupe sur un seul rail sans serrer celui-ci sur la pièce à travailler au préalable.

h) Assurez-vous que la lame de la scie n'entre pas en contact avec le rail en aluminium durant la coupe.

i) Ne tentez pas d'effectuer une coupe si une partie du chariot Accu-Cut™ empêche le fonctionnement du protège-lame de la scie.

j) Afin d'éviter les blocages et les rebonds, assurez-vous que la pièce à travailler et celle qui est coupée sont soutenues adéquatement.

k) Ajustez la profondeur de la coupe pour que la lame de la scie dépasse la pièce travaillée de 3,17 mm (1/8 po) durant la coupe.

l) Tenez vos mains à distance de la lame de la scie pendant la coupe. Ne mettez pas les mains sous la pièce à travailler lors de la coupe.

m) Fixez fermement votre pièce travaillée afin de vous assurer qu'elle ne se déplace pas durant la coupe.

n) N'appliquez pas une pression excessive lors de la coupe. Maintenez une allure constante et stable.

o) Attendez que la lame de la scie cesse complètement son mouvement avant de retirer l'ensemble scie et chariot du rail.

p) Ne laissez pas la scie sans surveillance sur le rail ou le bloc de départ.

q) Entretenez vos outils et vos accessoires. Inspectez les pièces mobiles pour vous assurer qu'elles ne sont pas désalignées, enrayées, mal fixées, brisées, ni dans un état pouvant nuire au fonctionnement sécuritaire de l'outil. Si vous constatez que l'outil n'est pas sécuritaire, réparez-le avant de l'utiliser.

7) Rebond

Un rebond est une réaction soudaine qui se produit lorsqu'une lame est coincée, bloquée ou mal alignée. La scie non maîtrisée se soulève alors de la pièce en direction de l'utilisateur.

8) Causes des rebonds

a) Lorsque la lame est coincée ou bloquée par la fermeture de la voie, elle cesse de fonctionner et le moteur repousse brusquement la scie vers l'arrière, en direction de l'utilisateur.

b) Si la lame est tordue ou mal alignée pendant la coupe, les dents à l'arrière de la lame peuvent s'enfoncer dans la surface supérieure du bois, ce qui entraînerait la sortie de la lame de la voie et la projection de la scie en direction de l'utilisateur.

Prévention des rebonds

Le rebond est le résultat d'un usage inapproprié d'un outil ou encore de procédures ou de conditions d'utilisation incorrectes. Il peut être évité par l'application des précautions appropriées.

a) Tenez fermement la scie à deux mains et placez votre corps et vos bras de façon à résister aux forces de rebond. L'utilisateur peut contrôler les forces de rebond s'il prend des précautions appropriées.

b) Lorsque la lame commence à se coincer ou lorsque vous interrompez la coupe pour quelque raison que ce soit, relâchez l'interrupteur et maintenez la scie immobile dans le matériau jusqu'à ce que la lame cesse complètement son mouvement. Ne tentez jamais de retirer la scie de la pièce ou de la tirer vers l'arrière lorsque la lame est encore en mouvement. Déterminez la cause du coincement de la lame et prenez des mesures correctives pour l'éliminer.

c) Lorsque vous redémarrez la scie dans la pièce travaillée, centrez la lame dans la voie et assurez-vous que les dents de la scie ne sont pas engagées dans le matériau. Si la lame de la scie est coincée, la lame pourrait sortir et rebondir de la pièce travaillée au moment où vous redémarrez la scie.

d) Soutenez les panneaux de grande taille pour minimiser les risques de blocage de la lame et de rebond. Les panneaux de grande taille ont tendance à s'affaisser sous leur poids. Vous devez placer des supports sous le panneau des deux côtés de la coupe : près de la ligne de coupe et près du bord du panneau.

e) N'utilisez pas une lame émoussée ou endommagée. Une lame émoussée ou mal affûtée produit une voie étroite, ce qui cause de la friction excessive, le blocage de la lame et des rebonds.

f) Assurez-vous que les systèmes de blocage de la profondeur de coupe et du réglage de l'angle du biseau sont bien serrés avant d'effectuer une coupe. Si le réglage de la lame se déplace durant la coupe, cela peut causer un blocage et un rebond.

g) Redoublez de prudence lorsque vous effectuez une « coupe en plongée » dans un mur existant, un plancher ou un autre endroit dissimulé. La lame pourrait entrer en contact avec des objets masqués qui peuvent causer un rebond.

Instructions pour l'utilisation des rallonges

Les rallonges ne servent qu'à un usage temporaire. Elles ne remplacent pas la nécessité d'installer des prises ni d'effectuer le câblage lorsque c'est nécessaire.

Dans l'atelier ou sur les chantiers de construction :

1. Utilisez toujours des rallonges munies d'un conducteur de mise à la terre.
2. Protégez les rallonges contre les dommages. Ne les faites pas passer par les portes ou les fenêtres, car celles-ci pourraient se refermer et endommager les rallonges.
3. Choisissez des rallonges d'un calibre minimal de 16 AWG qui conviennent aux outils que vous utilisez.
4. Inspectez périodiquement les rallonges afin de vous assurer que les fils sont bien isolés et que leur conductivité n'est pas compromise.
5. Ne faites pas passer de rallonges dans l'eau et ne les raccordez pas dans des endroits où de l'eau pourrait s'accumuler.

TABLEAU 1

Plaque signalétique Ampères à 120 V	Longueur de la rallonge					
	25'	50'	75'	100'	150'	200'
	Calibre de câble recommandé					
0-5	16	16	16	14	12	12
5.1-8	16	16	14	12	10	NR
8.1-12	14	14	12	10	NR	NR
12.1-16	12	12	NR	NR	NR	NR

NR : non recommandé

⚠ Avertissement : Cet article peut vous exposer à des produits chimiques, notamment à l'acrylonitrile et à d'autres produits chimiques reconnus par l'État de la Californie comme étant la cause de cancers et de problèmes liés aux fonctions reproductrices. Pour plus de renseignements, rendez-vous au www.P65Warnings.ca.gov.

Outils d'assemblage





Outils nécessaires:

#2 Phillips Screwdriver
Straight Edge

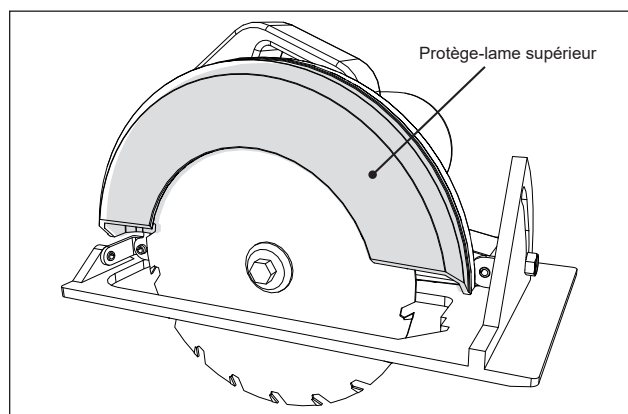
⚠ ATTENTION N'utilisez pas d'outils électriques pour l'assemblage.

Composants de la scie

Pièces de l'Accu-Cut™ (KMA2700) Pièce fonctionnant uniquement avec le Kreg Rip-Cut™.

A		2	Rails	I		2	Pinces de la plaque de base
B		4	Bande de guidage (préinstallée)	J		1	Butée de position
C		2	Barres de raccordement	K		3	Vis à métaux
D		8	Vis de calage	L		3	Écrous hexagonaux
E		1	Bloc de départ	M		1	Pince d'indicateur
F		1	Bande de remplissage	N*		1	Curseur
G		1	Chariot	O*		1	Cale
H		2	Vis de calage	P*		1	Poignée

Avant de commencer



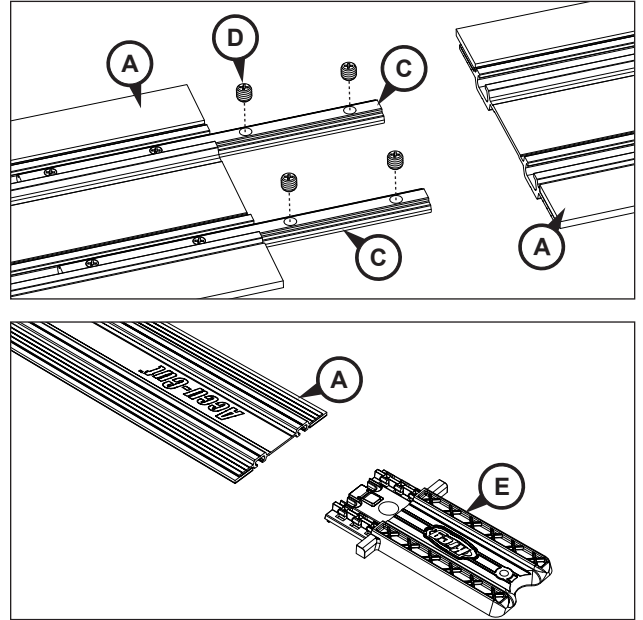
⚠ ATTENTION L'Accu-Cut™ est conçu pour être utilisé avec des scies circulaires portables dotées d'un protège-lame supérieur en métal. Une fois jumelée à l'Accu-Cut, une scie dotée d'un protège-lame supérieur en plastique peut créer une déviation entre la lame et la plaque de base, ce qui nuirait à la qualité de la coupe. N'utilisez pas une scie dotée d'un protège-lame supérieur en plastique avec l'Accu-Cut.

Assemblage

Assemblez le rail

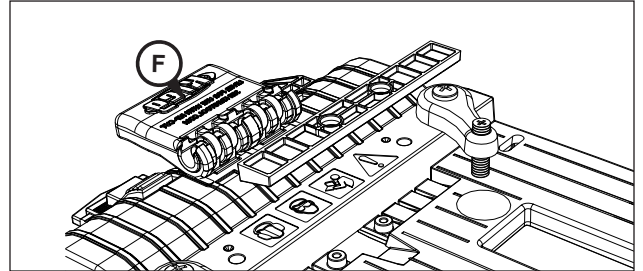
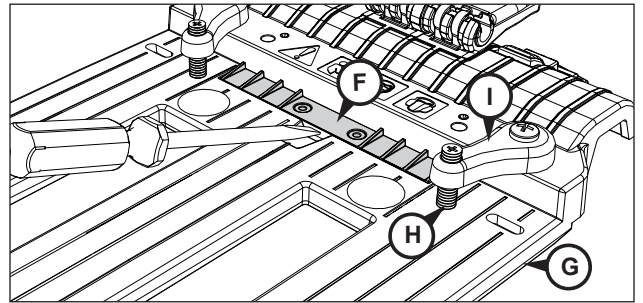
1 Tournez les deux rails (A) à l'envers (côté noir des bandes de guidage orienté vers le haut). Faites glisser les barres de raccordement (C) à moitié dans les rainures en T du premier rail, à l'extrémité, en s'assurant que les flèches indicatrices sont sur la surface supérieure. Serrez ensuite les vis de calage (D). Faites glisser le deuxième rail dans les barres de raccordement, de façon à ce que les flèches indicatrices de la surface supérieure soient alignées sur celles du premier rail. Tenez fermement les deux rails ensemble et serrez les vis de calage restantes. Faites glisser le bloc de départ (E) dans les rainures en T à l'extrémité d'un des rails.

⚠ ATTENTION Vous pouvez démonter les rails pour en faciliter le rangement. Si vous démontez les rails, alignez les flèches indicatrices sur la surface supérieure des rails au moment de les assembler de nouveau.



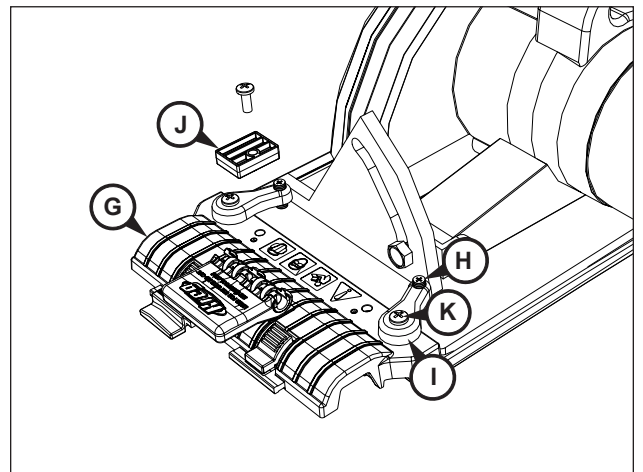
Positionnez la bande de remplissage

2 Au moment de l'expédition de l'article, les nervures en angle de la bande de remplissage (F) du chariot (G) sont orientées vers le haut. Ces nervures soutiennent une base de scie avec un profil en angle, maintenant ainsi la base de scie à plat sur le chariot lors du serrage des vis de calage (H) des pinces de la plaque de base (I). Pour une base de scie avec un profil plat, retirez la bande de remplissage de la cavité du chariot à l'aide du bout d'un tournevis, tournez-la afin d'en exposer le côté plat, puis enfoncez-la dans la cavité.



Installez votre scie circulaire sur le chariot

3 Retirez la butée de position (J) du chariot (G). Desserrez les vis de calage (H) des pinces de la plaque de base (I) et faites glisser la plaque de base de votre scie en dessous. Placez la scie sur le chariot de façon à ce que le devant de la plaque de base de la scie s'appuie contre la butée située à l'avant du chariot. Si la lame de votre scie est située du côté gauche du moteur, centrez-la dans la fente gauche du chariot. Si la lame de votre scie est située du côté droit du moteur, centrez-la dans la fente droite du chariot. Les pinces de la plaque de base sont munies de deux trous de fixation permettant différents réglages de la plaque de base de la scie sur le chariot. Pour la fixation la plus sécuritaire possible, sélectionnez les trous offrant le plus grand espacement permis par votre scie. Les pinces peuvent être placées en angle. Serrez les vis de calage sur la plaque de base de la scie juste assez pour tenir cette dernière en place.

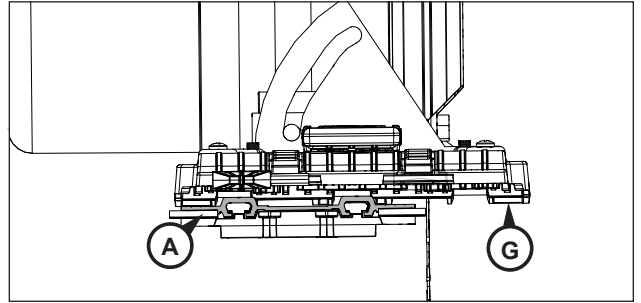
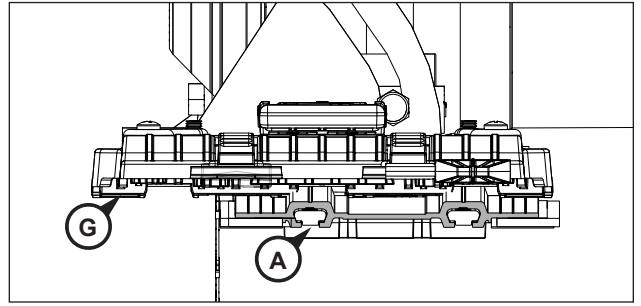


⚠ AVERTISSEMENT Débranchez la scie de la source d'alimentation avant de l'installer sur le chariot.

Assemblage

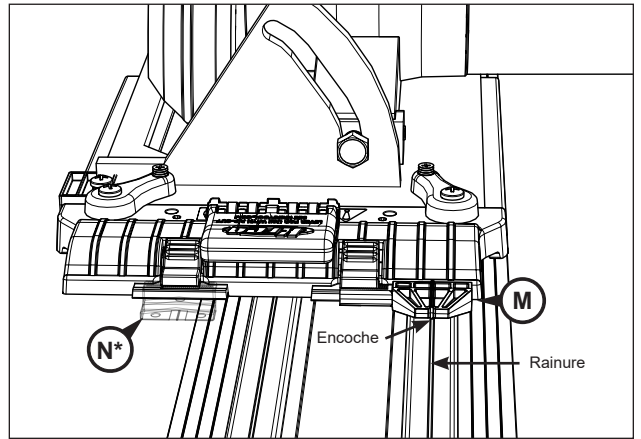
Alignez l'ensemble scie et chariot sur le rail

4 Le dessous du chariot (**G**) est doté de trois rainures. Si la lame de votre scie est située dans la fente droite du chariot, les rainures du centre et de gauche chevauchent les rails (**A**). Si la lame de votre scie est située dans la fente gauche du chariot, les rainures du centre et de droite chevauchent les rails. Placez l'ensemble scie et chariot sur le bloc de départ, de façon à l'enclencher dans les rainures appropriées du chariot. Desserrez les vis de calage (**H**) des pinces de la plaque de base (**I**) juste assez pour faire glisser la scie d'un côté à l'autre. Alignez la scie de façon à ce que la lame coupe environ 0,8 mm ($\frac{1}{32}$ po) de la bande de guidage. (Vous pourrez couper la bande de guidage plus tard de façon à positionner le rail sans aucun décalage.) Serrez les vis de calage des pinces de la plaque de base suffisamment pour retenir fermement la scie, mais ne serrez pas trop fort. Assurez-vous que le protège-lame fonctionne librement.



Vérifiez la position de la pince d'indicateur et du curseur*

5 Il y a deux positions sur le chariot, une pour la pince d'indicateur (**M**) et l'autre pour le curseur (**N***). Ces deux positions correspondent aux deux fentes du chariot. Placez le curseur dans le support devant la lame de la scie et la pince d'indicateur dans l'autre support. Pour changer la position de la pince d'indicateur ou celle du curseur, appuyez sur les verrous du support, faites glisser la pince d'indicateur et le curseur hors du support et réinstallez-les dans l'autre support. Pour facilement positionner l'ensemble scie et chariot sur le bloc de départ, alignez l'encoche à l'avant de la pince d'indicateur en se fiant à la rainure du rail.



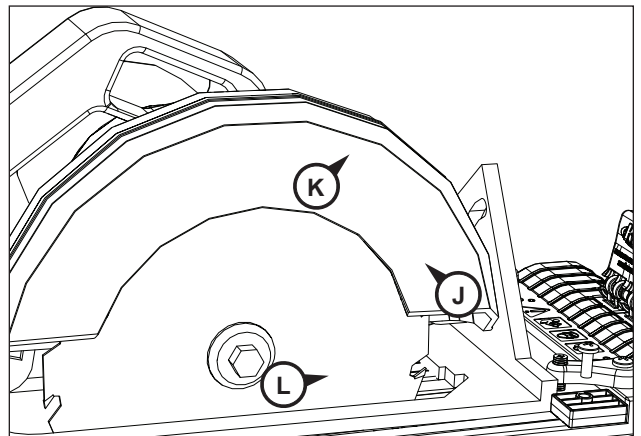
* Le curseur fonctionne uniquement avec le Rip-Cut™.

⚠ ATTENTION L'ensemble du chariot est doté de fonctionnalités uniquement compatibles avec le Kreg Rip-Cut™. Des étapes supplémentaires, indiquées dans le manuel Rip-Cut™, sont nécessaires pour calibrer le chariot afin de l'utiliser avec le Rip-Cut™.

Remplacez la butée de position

6 La butée de position (**J**) vous permet de retirer la scie de l'ensemble du chariot, puis de la remonter dans la même position sans avoir à couper de nouveau la bande de guidage. Placez la butée de position contre le côté de la base de la scie et fixez-la au chariot à l'aide de la vis à métaux (**K**) et de l'écrou (**L**). Pour permettre le plus de flexibilité possible, le chariot est rainuré et la butée de position peut pivoter sur 180°.

⚠ ATTENTION Pour monter une autre scie sur le chariot, répéter les étapes 2 à 6. Pour installer une autre lame sur la scie, répéter l'étape 4.



Assemblage

Coupez la bande de guidage

7 Les rails (A) sont fournis avec les bandes de guidage (B) déjà installées. Les bandes de guidage adhèrent à la surface de la pièce travaillée pour s'assurer que le rail ne bouge pas pendant l'utilisation. Lorsqu'elles sont bien taillées, les bandes de guidage vous permettent d'aligner leur côté à la ligne de coupe, ne laissant ainsi aucun espace autour de la lame, ce qui réduit la production de copeaux.

Pour positionner le côté de la bande de guidage sur la ligne de coupe de la pièce travaillée (sans décalage), placez et soutenez bien le rail sur une retaille de pièce d'une longueur de 1219,2 mm (48 po) avec la butée de rebord placée à l'extrémité du bloc de départ et contre le rebord de la pièce travaillée. Placez l'ensemble scie et chariot sur le bloc de départ en utilisant la pince d'indicateur pour assurer un alignement parfait, puis fixez les rails. Réglez la profondeur de la coupe pour que la lame dépasse la pièce travaillée de 3,17 mm (1/8 po) durant la coupe. Avec la lame bien dégagée de la pièce travaillée, allumez la scie. En exerçant une légère pression sur la scie et en maintenant une vitesse constante

et stable, coupez la bande de guidage et la pièce travaillée sur toute la longueur du rail. Éteignez la scie, puis attendez que la lame s'immobilise complètement avant de retirer l'ensemble scie et chariot du rail.

⚠ AVERTISSEMENT Le système de blocage fonctionne uniquement avec le Kreg Rip-Cut™. Pour éviter une interférence avec le fonctionnement de l'Accu-Cut™, levez la cale (O*) en poussant sur la poignée (P*) vers l'avant et le bas. Assurez-vous que la poignée est dans cette position chaque fois que vous utilisez l'Accu-Cut™.

⚠ ATTENTION Essayez toujours les bandes de guidage avec un linge humide et retirez la poussière et les débris de la pièce travaillée avant de la placer sur le rail.

⚠ ATTENTION Si jamais la bande de guidage sans décalage est usée ou abîmée, retirez le bloc de départ du rail et installez-le de l'autre côté. Coupez la seconde bande de guidage. Lorsque les bandes de guidage seront hors d'usage, communiquez avec le service à la clientèle de Kreg ou visitez le site www.kregtool.com pour acheter des bandes de guidage de remplacement.

Utilisation de l'Accu-Cut™

Utilisation de l'Accu-Cut™

1 Pour de meilleurs résultats, installez une lame à 40 dents sur votre scie

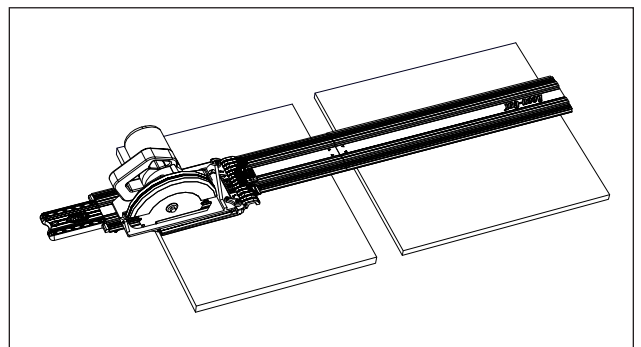
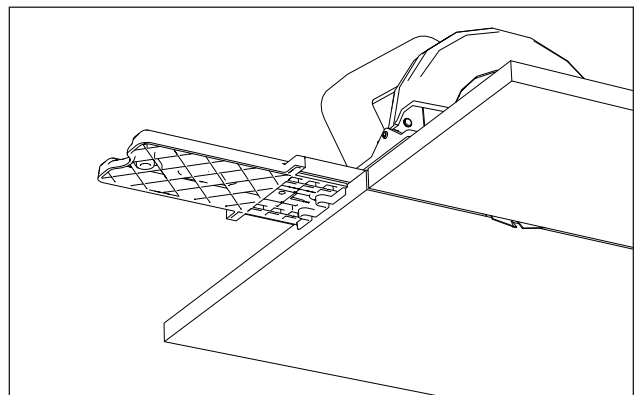
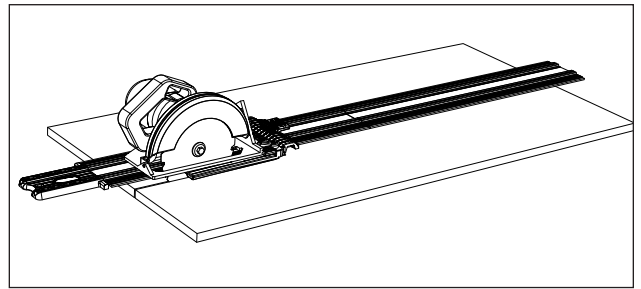
2 Tracez une ligne de coupe sur votre pièce travaillée. Placez le rail avec le côté de la bande de guidage sur la ligne de coupe, et la butée de rebord du bloc de départ contre le bord de la pièce travaillée. Faites toujours vos coupes en vous assurant que la pièce travaillée se trouve sous le rail, et que les déchets soient évacués vers l'extérieur.

3 Placez l'ensemble scie et chariot sur le bloc de départ en utilisant la pince d'indicateur pour aligner le chariot sur le rail. Réglez la profondeur de la coupe pour que la lame dépasse la pièce travaillée de 3,17 mm (1/8 po) durant la coupe.

4 Branchez votre scie sur l'alimentation électrique. Avec les deux mains sur la scie et la lame bien dégagée de la pièce travaillée, allumez la scie. En exerçant une légère pression sur la scie et en maintenant une vitesse constante et stable, faites votre coupe. Éteignez la scie, puis attendez que la lame s'immobilise complètement avant de retirer l'ensemble scie et chariot du rail.

⚠ AVERTISSEMENT Assurez-vous que la pièce travaillée et la partie coupée sont entièrement soutenues à l'aide de planches de 2 x 4 ou d'un isolant en mousse rigide d'une épaisseur de 50,8 mm (2 po) placé sur le sol.

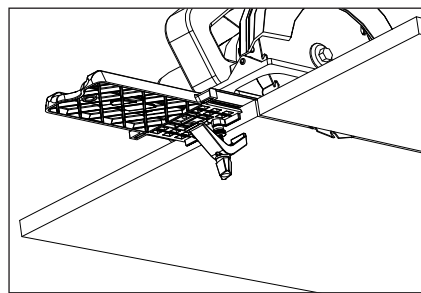
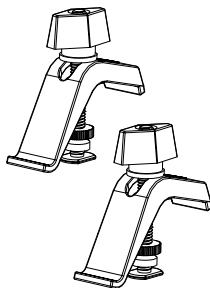
⚠ AVERTISSEMENT Lorsque plus de 30,48 cm de l'extrémité du rail du côté opposé au bloc de départ dépasse la pièce travaillée, déposez le bout du rail qui dépasse sur une surface auxiliaire de la même hauteur que la pièce travaillée.



Accessoires en option

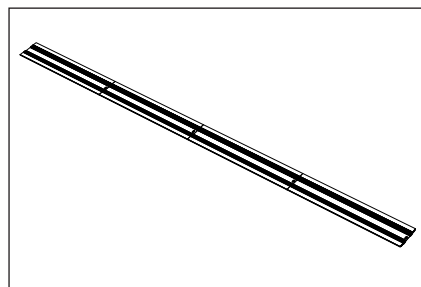
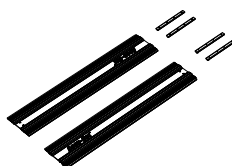
Pincettes pour rail de Kreg (vendus séparément)

Ces pincettes se glissent dans les encoches du bloc de départ et les fentes en T du rail, fixant ce dernier à la pièce travaillée. Elles ne sont pas recommandées lors de la coupe de matériaux à surfaces glissantes, tels que les panneaux recouverts de mélamine, lorsque si le rail n'est pas complètement supporté dans toute sa longueur par la pièce travaillée, ou lorsque les coupes se font sur une seule section du rail.



Ensemble rallonge Accu-Cut™ (vendu séparément)

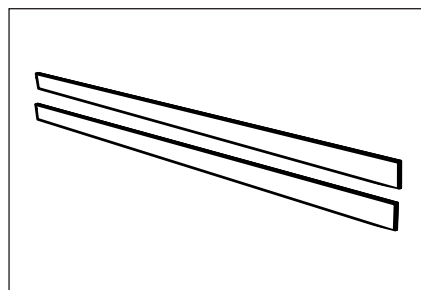
Doublez la capacité de votre Accu-Cut™ avec l'ensemble rallonge Accu-Cut. Il se connecte facilement à votre Accu-Cut pour effectuer des coupes droites, précises et sans éclats d'une longueur allant jusqu'à 254 cm. L'ensemble rallonge comprend deux guides sur rails en aluminium de 67,31 cm, six tiges de raccord de rail en acier, huit bandes de guidage anti-éclats et antidérapantes ainsi que les instructions d'assemblage et d'installation.



Pièces de rechange

Bandes de guidage (vendu séparément)

Avec le temps et l'usure, les bandes de guidage peuvent ne plus fournir un alignement précis sur le rail et laisser de l'espace, ce qui nuit à la prévention des copeaux. Cet ensemble de deux bandes de guidage rétablit la précision et la qualité de coupe de votre Accu-Cut™. Vous aurez besoin de quatre ensemble pour l'Accu-Cut™ XL.



⚠ AVERTISSEMENT Avant d'utiliser l'Accu-Cut™, veuillez lire, comprendre et respecter les avertissements de sécurité ainsi que le mode d'emploi inclus avec ce produit et fourni par le fabricant de votre scie. Laissez tous les protecteurs et les dispositifs de sécurité de l'outil en place. Ne tentez pas d'effectuer une coupe si une partie de l'Accu-Cut™ empêche le fonctionnement du protège-lame de la scie. Portez toujours des lunettes de sécurité et des protecteurs auditifs. Utilisez un dispositif de protection des voies respiratoires lorsque vous travaillez dans des conditions poussiéreuses. Débranchez la scie de la source d'alimentation avant d'apporter des ajustements à l'Accu-Cut™ ou à la scie.

Pautas generales de seguridad

⚠ ADVERTENCIA Cuando use herramientas eléctricas, siempre debe seguir las medidas de seguridad que se mencionan abajo, a fin de reducir el riesgo de incendios y descargas eléctricas y para evitar lesiones personales. Lea todas estas instrucciones antes de hacer funcionar este producto. **GUARDE ESTAS INSTRUCCIONES.**

1) Seguridad en el área de trabajo

- Mantenga el área de trabajo limpia y bien iluminada. Las áreas desordenadas u oscuras aumentan las posibilidades de accidentes.
- No use herramientas eléctricas en entornos peligrosos. No use herramientas eléctricas en áreas húmedas o mojadas ni las esponja a la lluvia.
- No utilice herramientas eléctricas en atmósferas en las que exista riesgo de explosión, como por ejemplo, en presencia de líquidos inflamables, gases o polvo. Las herramientas eléctricas producen chispas que pueden encender los vapores o el polvo.
- Mantenga a los niños y transeúntes alejados durante la operación de una herramienta eléctrica. Las distracciones pueden hacerle perder el control.
- Convierta su taller en un lugar a prueba de niños. Use candados o interruptores maestros, o retire las llaves de arranque.

2) Seguridad eléctrica

- Conecte a tierra a las herramientas eléctricas. Si la herramienta está equipada con un enchufe de tres clavijas, debe enchufarse solo en un tomacorriente de tres orificios con puesta a tierra. Si no se cuenta con un tomacorriente adecuado, pídale a un electricista calificado que instale uno. Nunca retire la tercera clavija ni modifique el enchufe incluido de ninguna manera.
- No esponja las herramientas eléctricas a la lluvia o a condiciones de humedad. Si ingresa agua en una herramienta eléctrica, aumentará el riesgo de descarga eléctrica.
- No maltrate el cable. Nunca use el cable para transportar, jalar ni desenchufar la herramienta eléctrica. Mantenga el cable alejado del calor, el aceite, los bordes filosos o las piezas en movimiento. Los cables dañados o enredados aumentan el riesgo de descarga eléctrica.
- Use una extensión eléctrica adecuada y asegúrese de que esté en buen estado. Cuando use una extensión eléctrica, asegúrese de usar una que sea lo suficientemente resistente como para conducir la corriente que la herramienta eléctrica necesita. Un cable de tamaño menor que el requerido causará una baja en el voltaje de la línea. Esto podría provocar un corte de energía y sobrecalentamiento. En la tabla 1, se muestra el calibre correcto de la extensión eléctrica adecuada que debe usar según el largo del cable y el amperaje de la herramienta que figura en la placa de datos. Si tiene dudas, use el siguiente calibre más resistente. Cuanto más bajo sea el número del calibre, más pesada debe ser la extensión.
- Cuando use las herramientas eléctricas, evite el contacto del cuerpo con superficies conectadas a tierra, como tuberías, radiadores, estufas de cocina o refrigeradores. El contacto con una superficie con puesta a tierra aumenta el riesgo de descarga eléctrica.

3) Seguridad personal

- Manténgase alerta, observe lo que hace y actúe con sentido común mientras usa una herramienta eléctrica. No utilice una herramienta eléctrica si está cansado o bajo los efectos de drogas, alcohol o medicamentos. Un momento de desatención mientras opera herramientas eléctricas puede provocar lesiones personales graves.
- Use gafas de seguridad en todo momento. Los lentes de uso diario no son gafas de seguridad. Las gafas de seguridad tienen lentes, marcos y protectores laterales especiales.
- Utilice un equipo de seguridad. Use una protección o mascarilla antipolvo si se desprende demasiado polvo en la operación de corte. El equipo de seguridad, como mascarillas antipolvo, zapatos de seguridad antideslizantes, casco o auriculares de seguridad, que se usa para crear condiciones apropiadas reduce las lesiones personales.
- Evite los arranques accidentales. Asegúrese de que el interruptor esté en la posición de apagado antes de enchufar la herramienta. Si se transportan herramientas eléctricas con el dedo en el interruptor o se enchufan herramientas eléctricas que tienen el interruptor encendido, aumentan las posibilidades de accidentes.
- Retire todas las llaves de ajuste o llaves inglesas antes de encender la herramienta eléctrica. Si se deja una llave inglesa o una llave conectada a una pieza giratoria de la herramienta eléctrica, se pueden producir lesiones personales.

- No se extienda demasiado. Mantenga una postura y un equilibrio adecuados en todo momento. Esto permite un mejor control de la herramienta eléctrica en situaciones inesperadas.
- Asegure las piezas de trabajo. Use abrazaderas o una prensa para sostener la pieza de trabajo cuando sea práctico. Es más seguro que usar las manos y, de este modo, ambas manos quedan libres para operar la herramienta.
- Nunca se pare sobre la máquina. Si la herramienta se voltea o si toca accidentalmente la herramienta de corte, se pueden producir lesiones graves.
- Use ropa adecuada. No use ropa holgada ni joyas. Mantenga el cabello, la ropa y los guantes lejos de las piezas en movimiento. La ropa holgada, las joyas o el cabello largo pueden quedar atrapados en las piezas en movimiento. Arremánguese hasta el codo. Use una malla protectora para contener el cabello largo.
- Si se proporcionan dispositivos para la conexión de equipos de extracción y recolección de polvo, asegúrese de que se conecten y se usen adecuadamente. El uso de estos dispositivos disminuye los peligros relacionados con el polvo.

4) Uso y cuidado de herramientas eléctricas

- Mantenga las protecciones en su lugar y en buenas condiciones de funcionamiento.
- No fuerce la herramienta eléctrica. Use la herramienta eléctrica adecuada para la tarea. La herramienta eléctrica adecuada realizará un trabajo más seguro y de mejor calidad al ritmo para el que se diseñó.
- Use la herramienta correcta. No fuerce una herramienta o un accesorio para hacer un trabajo para el que no se lo diseñó.
- No use la herramienta eléctrica si el interruptor no enciende o apaga. Cualquier herramienta eléctrica que no pueda controlarse con el interruptor es peligrosa y debe repararse.
- Desconecte el enchufe de la fuente de alimentación o la batería de la herramienta eléctrica antes de realizar cualquier ajuste, cambiar accesorios o almacenar herramientas eléctricas. Este tipo de medidas de seguridad preventivas reduce el riesgo de arranques accidentales de la herramienta eléctrica.
- Nunca deje una herramienta en funcionamiento sin supervisión. Apague la herramienta eléctrica. No suelte la herramienta hasta que se detenga completamente.
- Almacene las herramientas eléctricas que no estén en uso fuera del alcance de los niños y no permita que personas que no estén familiarizadas con la herramienta ni con estas instrucciones la utilicen. Las herramientas eléctricas son peligrosas en manos de usuarios sin capacitación.
- Realice mantenimiento a las herramientas eléctricas. Revise si hay desalineación o agarrotamiento de piezas móviles o piezas rotas, así como cualquier otra condición que pueda afectar el funcionamiento de la herramienta eléctrica. Si se daña la herramienta eléctrica, hágala reparar antes de usarla. Muchos accidentes son producto del mantenimiento incorrecto de las herramientas eléctricas.
- Mantenga las herramientas de corte afiladas y limpias. Las herramientas de corte que se mantienen adecuadamente, con sus bordes de corte afilados, son menos propensas a trabarse y son más fáciles de controlar.
- Utilice la velocidad recomendada para la herramienta de corte o el accesorio y el material de la pieza de trabajo.
- Solo use piezas y accesorios recomendados por el fabricante. Consulte el manual del propietario para conocer los accesorios recomendados. Usar accesorios incorrectos puede causar lesiones personales.
- Use la herramienta eléctrica, los accesorios y las brocas para herramienta según estas instrucciones y de la manera adecuada para el tipo de herramienta eléctrica en particular, teniendo en cuenta las condiciones de trabajo y el trabajo que se va a realizar. El uso de la herramienta eléctrica en operaciones diferentes de aquellas para las que se la diseñó puede crear una situación de peligro.

Pautas generales de seguridad

5) Reparación

- a) Permita que solo una persona capacitada repare la herramienta eléctrica, usando solo piezas de repuesto idénticas. De esta manera, mantendrá la seguridad de la herramienta eléctrica.

6) INSTRUCCIONES DE SEGURIDAD ESPECÍFICAS PARA EL FUNCIONAMIENTO DE ACCU-CUT™

- a) Antes de usar Accu-Cut™, lea, comprenda y respete las advertencias de seguridad y las instrucciones de funcionamiento que se incluyen con este producto y que el fabricante de su sierra le proporciona. Mantenga todos los dispositivos de seguridad y los protectores en su lugar.
- b) Use protección adecuada para los ojos, los oídos y el sistema respiratorio cuando use la sierra.
- c) Utilice una hoja afilada y diseñada para el tipo de material que está cortando.
- d) Siempre desconecte la sierra de la alimentación eléctrica antes de realizar ajustes en la sierra o en Accu-Cut™.
- e) Limpie los rastreles guía con un paño húmedo y elimine el polvo y los desechos de la pieza de trabajo antes de colocar los rieles sobre dicha pieza.
- f) Solo utilice la cantidad de secciones del riel necesarias para realizar un corte, al agregar o retirar secciones del riel según sea necesario.
- g) Accu-Cut™ está diseñado para usarse sin abrazaderas y solo con dos o más secciones del riel juntas. No realice ningún corte usando solo una sección del riel sin primero sujetar la sección del riel a la pieza de trabajo.
- h) Asegúrese de que la hoja de sierra no haga contacto con el riel de aluminio durante el corte.
- i) No intente realizar ningún corte si alguna pieza del deslizador de Accu-Cut™ interfiere con el funcionamiento del protector de la hoja de sierra.
- j) Tanto la pieza de trabajo como la pieza de corte deben estar totalmente apoyadas para evitar cualquier trabamamiento o contragolpe.
- k) Regule la profundidad de corte de modo tal que la hoja de sierra sobresalga 3 mm (1/8 pulg.) por la pieza de trabajo durante el corte.
- l) Mantenga las manos alejadas de la hoja de la sierra durante el funcionamiento. No toque el área debajo de la pieza de trabajo mientras corta.
- m) Asegure la pieza de trabajo para garantizar que no se mueva durante el corte.
- n) No ejerza demasiada fuerza mientras corta. Mantenga un ritmo estable y controlado.
- o) Espere hasta que la hoja de sierra se detenga por completo antes de retirar la sierra y el deslizador del riel.
- p) No deje la sierra en el riel ni el bloque de inicio sin supervisión.
- q) Dé mantenimiento a sus herramientas y accesorios. Revise si hay desalineación o adhesión de piezas móviles, si hay sujetadores sueltos, piezas rotas, así como cualquier otra condición que pueda afectar la operación segura. Si descubre una condición insegura, corríjala antes de continuar.

7) Contragolpe

El retroceso es una reacción repentina provocada por una hoja de sierra apretada, atascada o desalineada, que ocasiona que una sierra descontrolada se desvíe de la pieza de trabajo y de dirija al operador.

8) Causas del contragolpe

- a) Cuando la hoja se aprieta o atasca por la entalladura que se cierra, la hoja se detiene y la reacción del motor impulsa la unidad rápidamente hacia el operador.
- b) Si la hoja se tuerce o se desalinea en el corte, los dientes del borde posterior de la hoja pueden penetrar en la superficie superior de la madera y hacer que la hoja se salga del corte e impulsar la sierra hacia el operador.

Prevención del contragolpe

El contragolpe es la consecuencia del uso inadecuado de la herramienta o condiciones o procedimientos de funcionamiento incorrectos, y se puede evitar tomando precauciones adecuadas.

- a) Agarre firmemente la sierra con las dos manos y ubique su cuerpo y sus brazos para resistir la fuerza de contragolpe. El operador puede controlar la fuerza del contragolpe si toma las precauciones correctas.
- b) Cuando la hoja comienza a atascarse o cuando interrumpa

un corte por cualquier motivo, suelte el gatillo y sujete la sierra sin movimiento en el material hasta que la hoja se detenga completamente. Nunca intente retirar la sierra de la pieza ni jale la sierra hacia atrás mientras la hoja esté en movimiento. Investigue y tome acciones correctivas para eliminar la causa del trabamamiento de la hoja.

- c) Al volver a arrancar una sierra en la pieza de trabajo, centre la hoja de la sierra en la entalladura y verifique que los dientes de la sierra no estén enganchados en el material. Si la hoja de la sierra se traba, esta se puede subir a la pieza de trabajo y se puede producir un contragolpe mientras la sierra vuelve a arrancar.
- d) Apoye los paneles grandes para minimizar el riesgo de que la hoja se apriete o sufra un contragolpe. Los paneles largos tienden a doblarse debido a su propio peso. Los soportes deben colocarse bajo el panel a ambos lados del corte: bajo la línea de corte y cerca del borde del panel.
- e) No utilice hojas desafiladas o dañadas. Una hoja roma o mal instalada genera una entalladura angosta, lo que provoca una fricción excesiva, trabamamiento de la hoja y contragolpes.
- f) La profundidad de la hoja y los bloqueos de biselado deben estar apretados y fijos antes de realizar un corte. Si el ajuste de la hoja cambia durante un corte, puede provocar un trabamamiento de la hoja o un contragolpe.
- g) Tenga precauciones adicionales al realizar un corte a profundidad en paredes existentes, pisos u otras áreas ciegas. La hoja sobresaliente puede entrar en contacto con objetos ocultos que pueden causar un contragolpe.

Pautas para el uso de extensiones eléctricas

Las extensiones eléctricas son solo para uso temporal. No reemplazan la necesidad de instalar tomacorrientes y el cableado adecuado cuando sea necesario.

En el taller y en los sitios de construcción:

1. Se deben usar extensiones eléctricas con conductor de puesta a tierra del equipo en todo momento.
2. Las extensiones eléctricas deben protegerse de daños y no deben tenderse a través de puertas o ventanas porque estas pueden cerrarse y dañar el cable.
3. Las extensiones eléctricas deben ser de 16 AWG como mínimo y tener una clasificación adecuada para el equipo que se use.
4. Las extensiones eléctricas deben inspeccionarse periódicamente para garantizar que el aislamiento y la conductividad de los conductores no se vean comprometidos.
5. Las extensiones eléctricas no deben tenderse sobre agua y no se debe permitir que las conexiones estén expuestas a agua acumulada.

TABLA 1

Placa de datos Amperios @120 V	Largo de la extensión eléctrica					
	7,62 m	15,24 m	22,86 m	30,38 m	45,72 m	60,96 m
	Calibre de cable recomendado					
0 -5	16	16	16	14	12	12
5.1 - 8	16	16	14	12	10	NR
8.1 -12	14	14	12	10	NR	NR
12.1 - 16	12	12	NR	NR	NR	NR

NR: No recomendado

⚠ Advertencia: este producto puede exponerlo a sustancias químicas, incluidas el acrilonitrilo y otros químicos, reconocidas por el estado de California como causantes de cáncer o daños en el aparato reproductivo. Para obtener más información, visite www.P65Warnings.ca.gov.

Herramientas para el montaje

Herramientas necesarias:

Destornillador Phillips
Borde recto

⚠ ATENCIÓN No utilice herramientas eléctricas para el montaje.

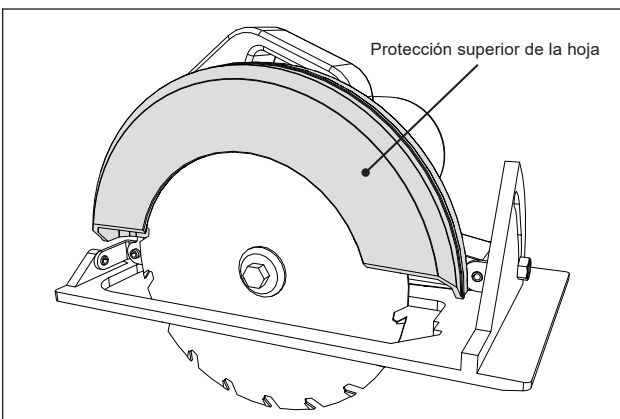
Componentes de sierra

Accu-Cut™ (KMA2700) Piezas

Las piezas son compatibles solo para uso en el Kreg Rip-Cut™.

A		2	Rieles	I		2	Abrazaderas de la placa de la base
B		4	Rastrel guía (preinstalado)	J		1	Tope índice
C		2	Barras de conexión	K		3	Tornillos para metal
D		8	Tornillos de fijación	L		3	Tuercas hexagonales
E		1	Bloque de inicio	M		1	Sujetador con indicador
F		1	Tira de relleno	N*		1	Cursor
G		1	Trineo	O*		1	Cuña
H		2	Tornillos de fijación	P*		1	Manija

Antes de comenzar



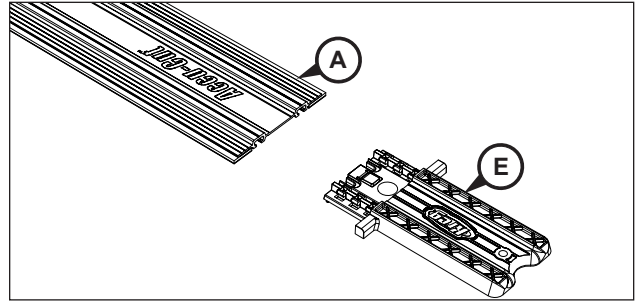
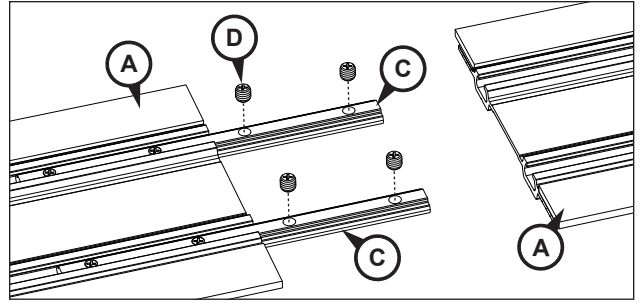
⚠ ATENCIÓN Bienvenido a la Kreg Accu-Cut™. Con su nueva Accu-Cut™, tenga la seguridad de contar con una experiencia de calidad de corte de por vida. Accu-Cut está diseñada para trabajar mejor con las sierras circulares que tienen un protector metálico superior de hoja. Las sierras que tienen un protector de hoja superior de plástico pueden permitir una deflexión excesiva entre la hoja y la placa de base, lo cual ocasiona resultados no deseados al trabajar con Accu-Cut™. Verifique el protector de hoja superior en la sierra circular. Si el protector de hoja superior es de plástico, Kreg recomienda no utilizar la sierra circular con Accu-Cut™.

Asamblea

Ensamblaje del riel

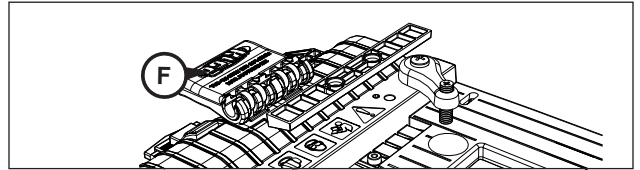
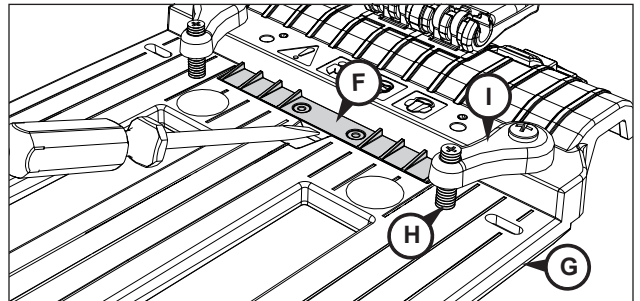
1 Invierta los dos rieles (**A**) (la cara color negro de los rastreles guía debe quedar hacia arriba). En el extremo del primer riel, deslice las barras de conexión (**C**) en las ranuras en T hasta la mitad del recorrido. Asegúrese de que las flechas de indicación de la cara superior queden orientadas hacia arriba y, luego, apriete los tornillos de fijación (**D**). Deslice el segundo riel en las barras conexión de modo tal que las flechas de indicación de la cara superior queden alineadas con las flechas de indicación en la sección del primer riel. Sujete con firmeza los dos rieles y apriete los tornillos de fijación restantes. En el extremo de uno de los rieles, deslice el bloque de inicio (**E**) en las ranuras en T.

⚠ ATENCIÓN Los rieles pueden desmontarse para almacenaje. Si desmonta los rieles, las flechas de indicación de las caras superiores de los rieles deben quedar alineadas cuando los vuelva a montar.



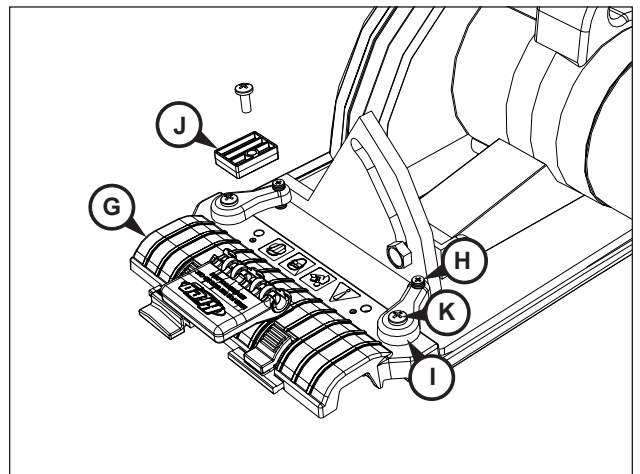
Orientación del rastrel de relleno

2 El rastrel de relleno (**F**) del deslizador (**G**) se envía con las nervaduras anguladas hacia arriba. Estas nervaduras brindan apoyo a la base de una sierra que cuente con un borde principal angular, lo cual ayuda a que la base de la sierra permanezca nivelada en el deslizador cuando se aprietan los tornillos de fijación (**H**) en las abrazaderas de la placa de la base (**I**). Si la base de la sierra cuenta con un borde principal plano, levante el rastrel de relleno de la ranura del deslizador con la punta de un destornillador, dé vuelta el rastrel de modo tal que la cara plana quede hacia arriba y, luego, presiónelo en la ranura para fijarlo.



Instale su sierra circular sobre el deslizador

3 Retire el tope índice (**J**) del deslizador (**G**). Desajuste los tornillos de fijación (**H**) en las abrazaderas de la placa de la base (**I**) y, luego, deslice la placa de la base de la sierra por debajo de estos. Coloque la sierra sobre el deslizador con la parte frontal de la placa de la base de la sierra orientada hacia el desnivel de la parte frontal del deslizador. Para sierras con la hoja en el extremo de la mano izquierda del motor, centre la hoja en la ranura izquierda del deslizador. Para sierras con la hoja en el extremo de la mano derecha del motor, centre la hoja en la ranura derecha del deslizador. Para acomodar diferentes configuraciones de placas de base de sierra, hay dos orificios para fijar cada abrazadera de la placa de la base al deslizador. Para obtener la sujeción más segura, escoja los orificios que brinden el mayor espaciado que su sierra permita. Las abrazaderas se pueden orientar con ángulo. Apriete los tornillos de fijación en la placa de la base de la sierra lo suficiente como para mantener la sierra en su lugar.

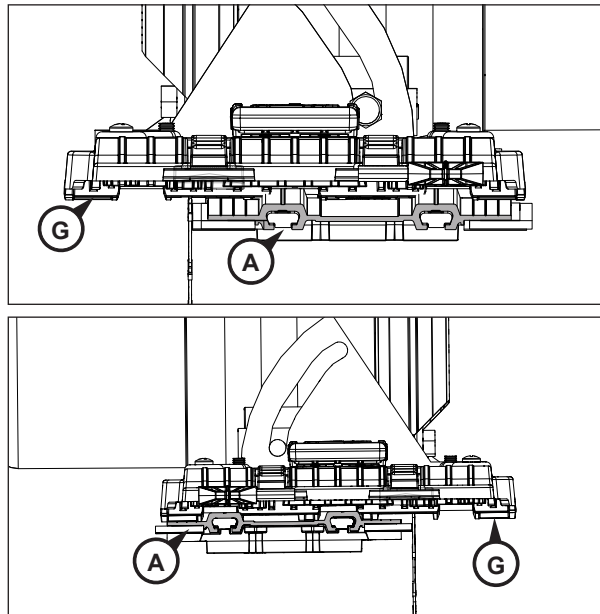


⚠ ADVERTENCIA Desconecte la sierra de la alimentación antes de montarla en el deslizador.

Asamblea

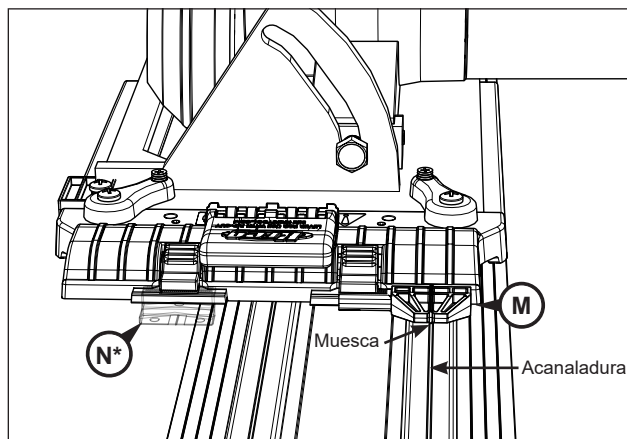
Alineación de la sierra y del deslizador con los rieles

4 Hay tres acanaladuras en la base del deslizador (**G**). Para sierras con la hoja en la ranura de la mano derecha del deslizador, las acanaladuras del centro y de la izquierda se montan en el carril del riel (**A**). Para sierras con la hoja en la ranura de la mano izquierda del deslizador, las acanaladuras del centro y de la derecha se montan en el carril del riel. Coloque la sierra y el deslizador en el bloque de inicio. Asegúrese de acoplar la acanaladura correcta del deslizador. Desajuste los tornillos de fijación (**H**) en las abrazaderas de la placa de la base (**I**) lo suficiente como para poder deslizar la sierra de lado a lado. Alinee la sierra de modo tal que la hoja desbaste unos 0,79 mm ($\frac{1}{32}$ pulg.) por fuera del rastrel guía. (El rastrel guía se ajustará más adelante para el punto de puesta a cero del riel). Apriete los tornillos de fijación en las abrazaderas de la placa de la base lo suficiente como para sujetar la sierra con firmeza, pero no los apriete demasiado. Asegúrese de que el protector de la hoja de la sierra funcione libremente.



Comprobación de la ubicación del cursor y del sujetador con indicador*

5 Hay dos posiciones en el deslizador para el sujetador con indicador (**M**) y para el cursor (**N***) que corresponden a las dos ranuras del deslizador. Coloque el cursor en el soporte que se encuentra en frente de la hoja de sierra y el sujetador con indicador en el otro soporte. Para cambiar la ubicación del cursor o del sujetador con indicador, presione el seguro del soporte, deslice hacia afuera el cursor o el sujetador con indicador y vuelva a colocar estos elementos en el soporte correspondiente. Para facilitar la colocación de la sierra y el deslizador en el bloque de inicio, procure que la muesca que se encuentra en frente del sujetador con indicador esté alineada con la acanaladura del carril del riel.



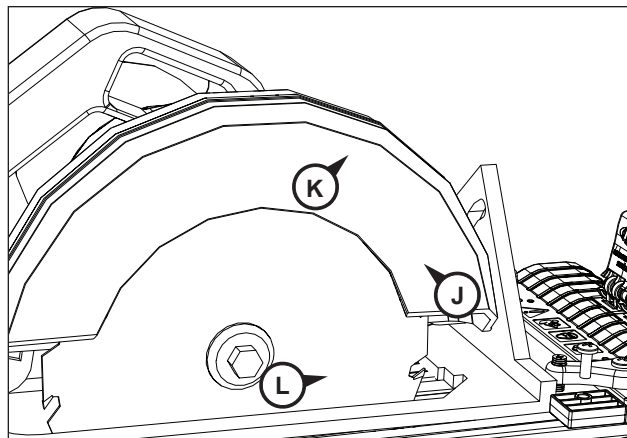
*El cursor solo es compatible para uso en el Kreg Rip-Cut™.

⚠ ATENCIÓN El deslizador está equipado con elementos que solo son compatibles para uso en el Kreg Rip-Cut™. Si desea calibrar este deslizador para uso en el Rip-Cut™, es necesario que realice pasos adicionales que se encuentran detallados en el manual del Rip-Cut™.

Reinstalación del tope índice

6 El tope índice (**J**) permite desmontar la sierra del deslizador y, luego, volver a montarla en exactamente la misma posición, sin necesidad de tener que volver a ajustar el rastrel guía. Coloque el tope índice contra el costado de la base de la sierra y asegúrelo al deslizador con el tornillo (**K**) y la tuerca (**L**) de la máquina. Para lograr una flexibilidad máxima de posicionamiento, el deslizador y el tope índice pueden rotarse 180°.

⚠ ATENCIÓN Si necesita montar una sierra diferente en el deslizador, repita las instrucciones de los pasos 2 al 6. Si necesita instalar una hoja diferente en la sierra, repita las instrucciones del paso 4.



Asamblea

Ajuste del rastrel guía

7 Los rieles (A) se suministran con los rastreles guía (B) preinstalados. Los rastreles guía sujetan la superficie de la pieza de trabajo para garantizar que los rieles no se muevan durante el uso. Si están correctamente ajustados, los rastreles guía permiten alinear el borde del rastrel con la línea de corte y, de este modo, se obtiene un apoyo con holgura cero junto a la hoja para que la pieza de trabajo no se astille.

Para poder ubicar el borde del rastrel guía en la línea de corte de la pieza de trabajo (puesta a cero), coloque el riel sobre una pieza de trabajo de prueba de 1219,2 mm (48 pulg.) de largo con el tope del borde de la base del bloque de inicio contra el borde de la pieza de trabajo. Asegúrese de que el riel esté completamente apoyado sobre la pieza de trabajo. Coloque la sierra y el deslizador en el bloque de inicio usando el sujetador con indicador para garantizar una correcta alineación y un firme acople a los carriles del riel. Regule la profundidad de corte de modo tal que la hoja sobresalga 3,17 mm (1/8 pulg) por la pieza de trabajo durante el corte. Sin que la hoja toque la pieza de trabajo, encienda la sierra. Aplique una ligera

presión hacia abajo en la sierra y mantenga un ritmo de corte constante y controlado para ajustar el rastrel guía y cortar la pieza de trabajo a lo largo de todo el riel. Apague la sierra y espere hasta que la hoja se detenga por completo para retirar la sierra o el deslizador del riel.

⚠ ADVERTENCIA El seguro de la cuña solo es compatible para uso en el Kreg Rip-Cut™. Para evitar cualquier interferencia en el funcionamiento del Accu-Cut™, levante la cuña (N) empujando la manija (O) hacia delante y hacia abajo. Asegúrese de que la manija esté en esta posición siempre que use el Accu-Cut™.

⚠ ATENCIÓN Siempre limpie los rastreles guía con un paño húmedo y elimine el polvo y los desechos de la pieza de trabajo antes de colocar los rieles.

⚠ ATENCIÓN Si el rastrel guía con holgura cero se gasta o se daña, saque el bloque de inicio del riel e instálelo en el extremo opuesto. Realice la operación de ajuste en el segundo rastrel guía. Si los rastreles guía ya no son utilizables, comuníquese con el Servicio al Cliente de Kreg o visite www.kregtool.com para adquirir las piezas de reemplazo.

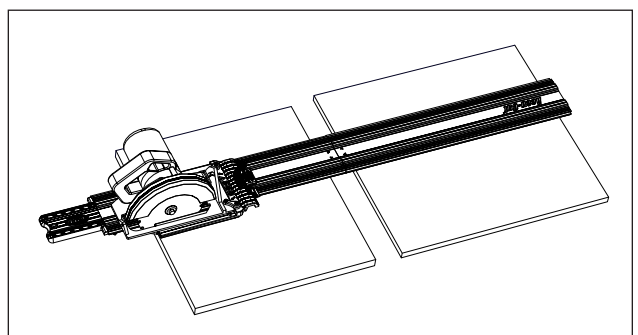
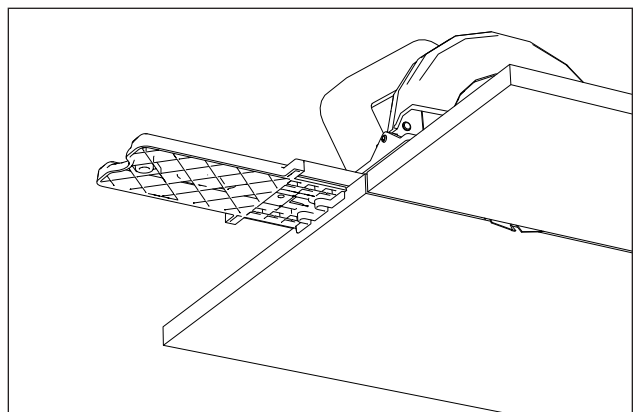
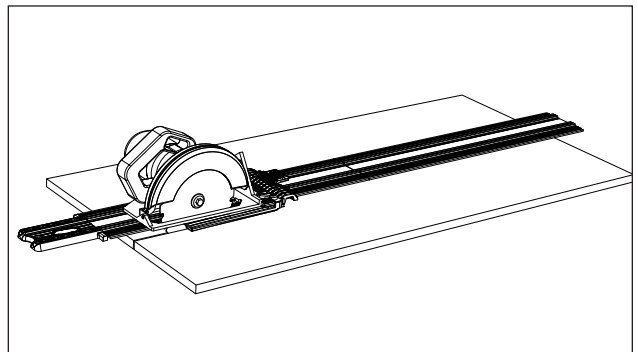
Uso del Accu-Cut™

Uso del Accu-Cut™

- 1** Para obtener resultados óptimos, instale una hoja de 40 dientes en la sierra.
- 2** Marque la línea de corte en la pieza de trabajo. Coloque el riel con el borde del rastrel guía sobre la línea de corte y el tope de borde del bloque de inicio contra el borde de la pieza de trabajo. Siempre realice cortes con la pieza de trabajo debajo del riel. Asegúrese de que la parte desechable de la pieza quede hacia la parte externa.
- 3** Coloque la sierra y el deslizador en el bloque de inicio usando el sujetador con indicador para alinear el deslizador con el riel. Regule la profundidad de corte de modo tal que la hoja sobresalga 3 mm (1/8 pulg) por la pieza de trabajo durante el corte.
- 4** Conecte su sierra a la alimentación eléctrica. Sujete la sierra con ambas manos y sin que la hoja toque la pieza de trabajo, encienda la sierra. Aplique una ligera presión hacia abajo en la sierra y mantenga un ritmo de corte constante y controlado para realizar el corte. Apague la sierra y espere hasta que la hoja se detenga por completo para retirar la sierra o el deslizador del riel.

⚠ ADVERTENCIA Apoye completamente la pieza de trabajo y la pieza de corte en un listón de madera de 2x4 o en un aislante de espuma rígido de 50,8 mm (2 pulg.) de grosor de forma horizontal sobre el piso.

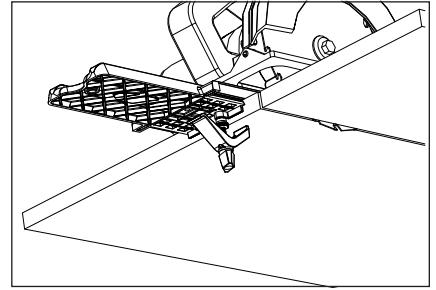
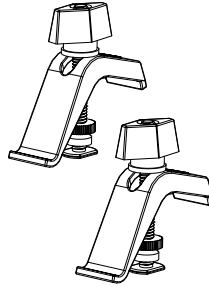
⚠ ADVERTENCIA Si sobresalen más de 30,48 cm (12 pulg.) de la pieza de trabajo respecto del extremo del riel opuesto al bloque de inicio, apoye el extremo del riel que sobresale en una superficie auxiliar colocada al ras de la pieza de trabajo.



Accesorios opcionales

Abrazaderas para riel Kreg *(se venden por separado)*

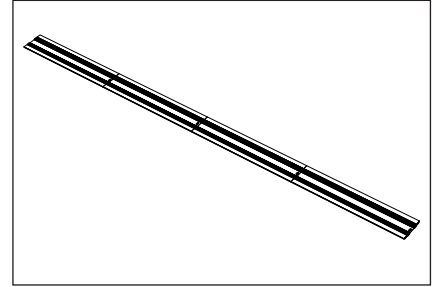
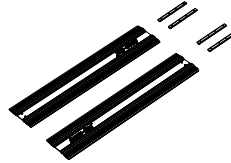
Estas abrazaderas se deslizan en las muescas del bloque de inicio y en las ranuras en T del riel para que el riel se sujete a la pieza de trabajo. Su uso se recomienda cuando el material de corte presenta una superficie resbaladiza, por ejemplo, aglomerado con recubrimiento de melanina; cuando el largo total del riel sobrepasa la pieza de trabajo o cuando se realizan cortes empleando una sola sección del riel.



Paquete de expansión Accu-Cut™

(se vende por separado)

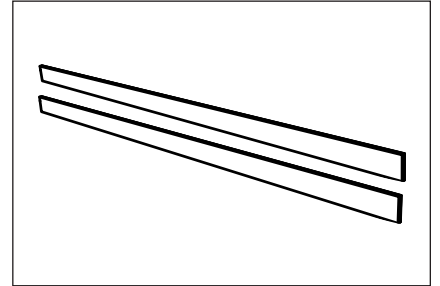
Duplica la capacidad de corte de su Accu-Cut™ con el paquete de expansión Accu-Cut. Se conecta fácilmente a su Accu-Cut para entregar el mismo rendimiento recto, preciso y sin astillas en cortes hasta de 254 cm de largo. El paquete de expansión incluye dos rieles de guía de aluminio de 26,5", seis conectores de rieles de acero, ocho rastreles antiastillas y antideslizantes, e instrucciones para ensamblaje y configuración.



Piezas de reemplazo

Flejes guía *(se venden por separado)*

Con el paso tiempo, los flejes guía se desgastan y dejan de ofrecer la alineación precisa del riel y la prevención sin juego de las astillas. Este paquete de dos flejes guía restaura la precisión y la calidad de corte de su Accu-Cut™. Necesitará cuatro paquetes para la Accu-Cut™ XL.



⚠ ADVERTENCIA Antes de usar el Accu-Cut™, lea, comprenda y respete las advertencias de seguridad y las instrucciones de funcionamiento que se incluyen con este producto y que el fabricante de la sierra le proporciona. Mantenga todos los protectores de la herramienta y los dispositivos de seguridad en su lugar. No intente realizar ningún corte si alguna parte del Accu-Cut™ interfiere con el funcionamiento del protector de la hoja de sierra. Use siempre protección para los ojos y las orejas. Use protección respiratoria en condiciones de mucho polvo. Desconecte la sierra del suministro de electricidad antes de realizar ajustes en el Accu-Cut™ o en la sierra.

TELL US ABOUT YOUR EXPERIENCE. YOUR OPINION COUNTS.

We're always working to improve Kreg® products and your satisfaction with them so that you have great project-building experiences. You can help by sharing your feedback at www.kregtool.com/feedback. It only takes a couple of minutes, and will help us to create products and support that serve your needs better.

PARLEZ-NOUS DE VOTRE EXPÉRIENCE. VOTRE OPINION EST IMPORTANTE POUR NOUS.

Nous cherchons toujours à améliorer les produits Kreg® et à nous assurer que vous soyez satisfait lorsque vous les utilisez pour effectuer vos projets de construction afin de rendre votre expérience agréable. Vous pouvez nous aider en nous faisant part de vos commentaires au www.kregtool.com/feedback. Cela ne prend que quelques minutes, et vos commentaires nous aideront à créer des produits et à fournir des services qui répondront mieux à vos besoins.

CUÉNTENOS SOBRE SU EXPERIENCIA. SU OPINIÓN CUENTA.

Siempre trabajamos para mejorar los productos Kreg® y su satisfacción con ellos para que tenga excelentes experiencias de construcción de proyectos. Puede ayudar compartiendo su retroalimentación en www.kregtool.com/feedback. Solo toma un par de minutos y nos estará ayudando a crear productos y brindar un soporte que sirva mejor a sus necesidades.



www.kregtool.com • 800.447.8638

For assistance with any Kreg product, contact us through our Web site or call Customer Service.

Si vous avez besoin d'aide concernant les produits Kreg, communiquez avec nous sur notre site Web ou appelez notre service à la clientèle.

Si requiere asistencia con cualquier producto Kreg, póngase en contacto con nosotros a través del sitio web o llame al Servicio al Cliente.